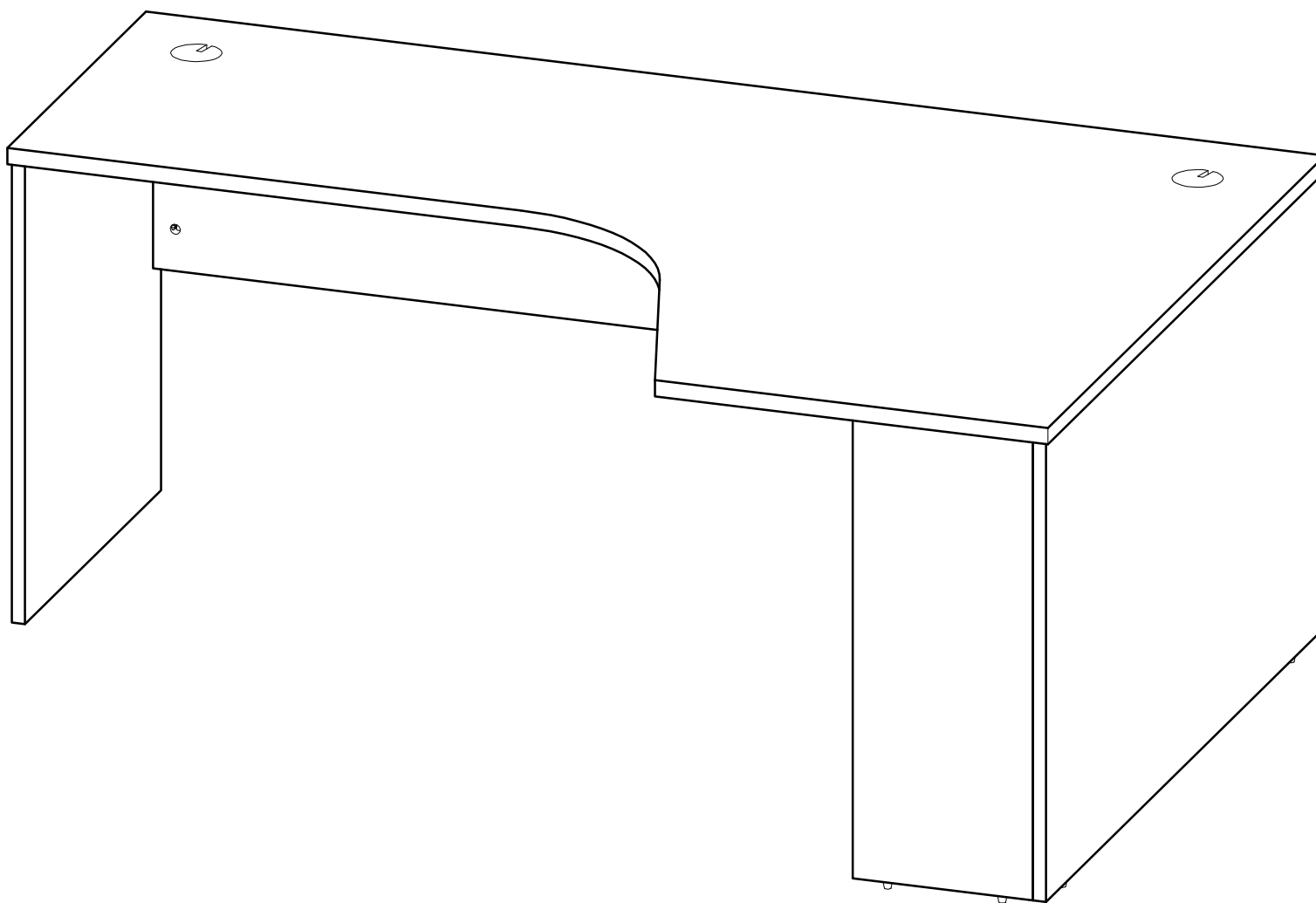


BROOME

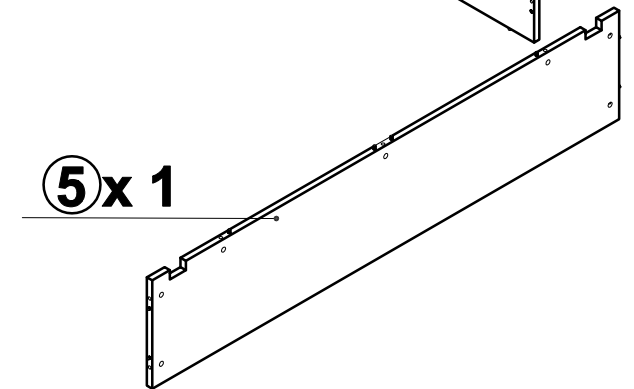
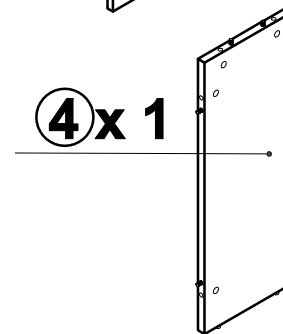
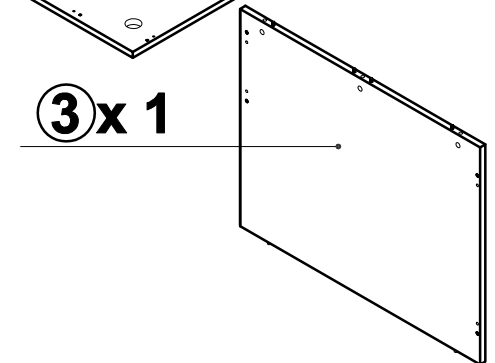
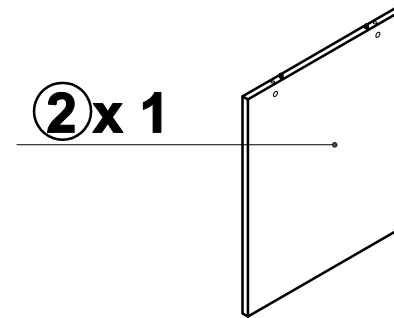
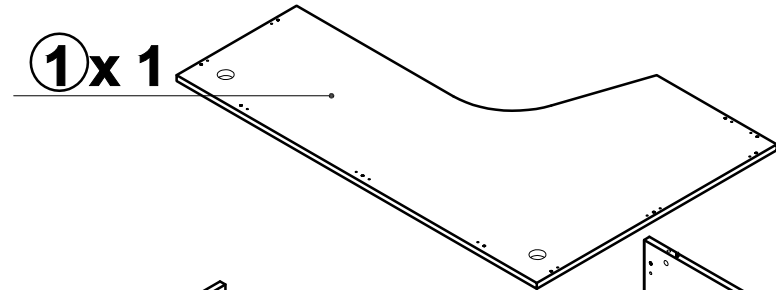
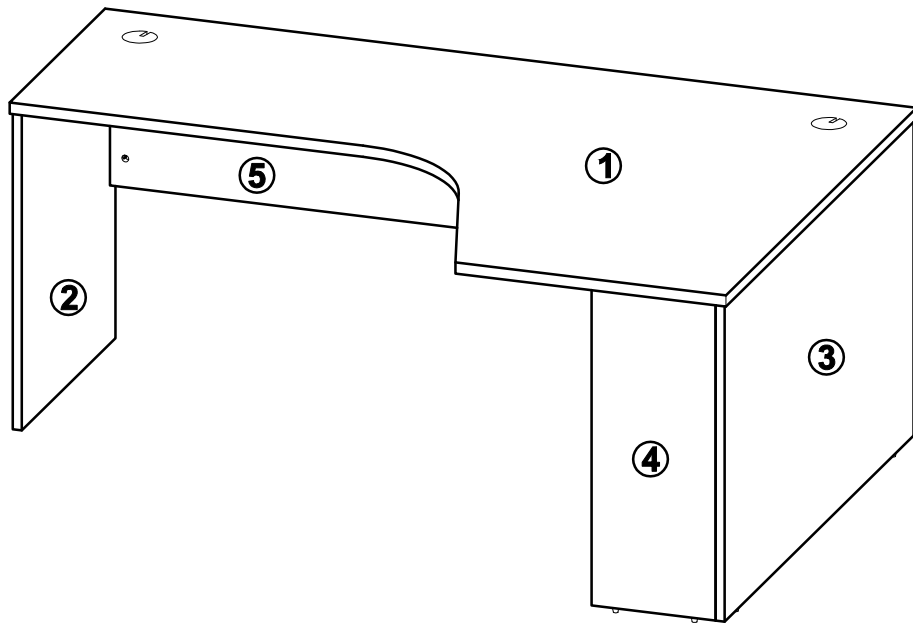


MODLOFT



ASSEMBLY INSTRUCTION BROOME DE-WA709-SET

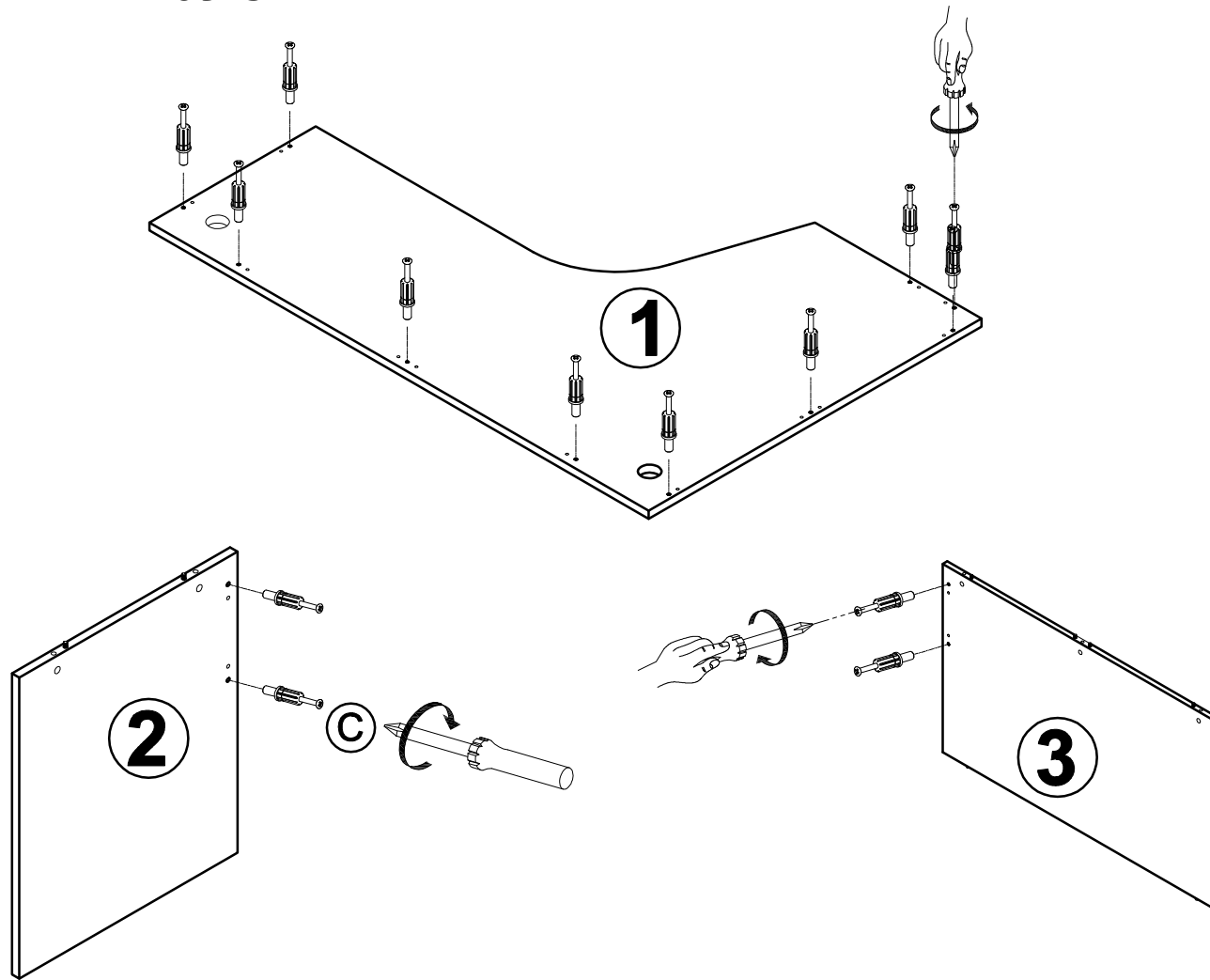
PARTS

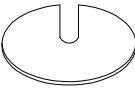
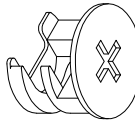

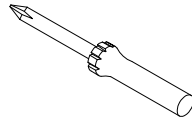




ASSEMBLY INSTRUCTION BROOME DE-WA709-SET

STEP 1

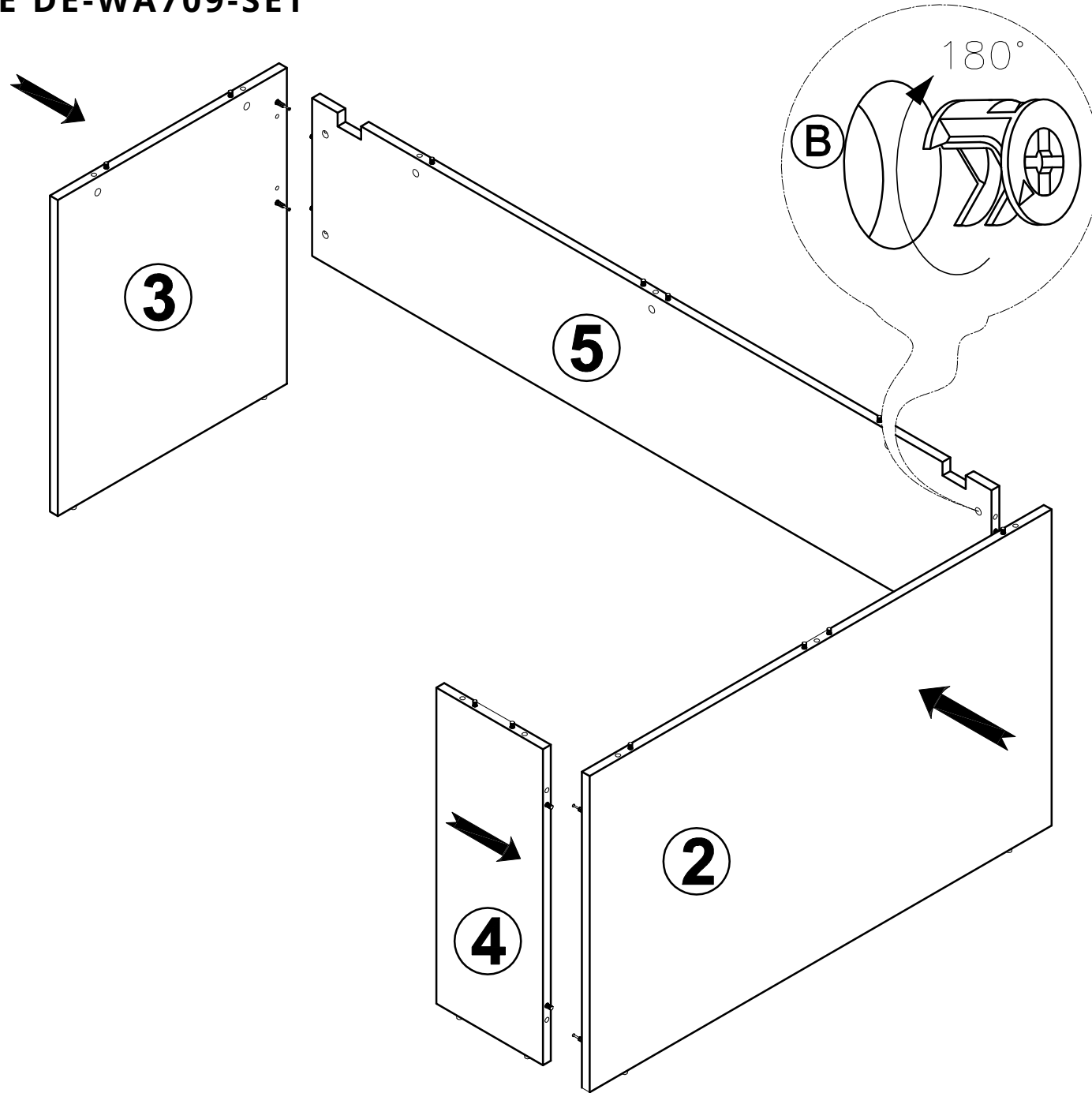


HARDWARE			TOOL
			
(A) x 2	(B) x 16	(C) x 16	



ASSEMBLY INSTRUCTION BROOME DE-WA709-SET

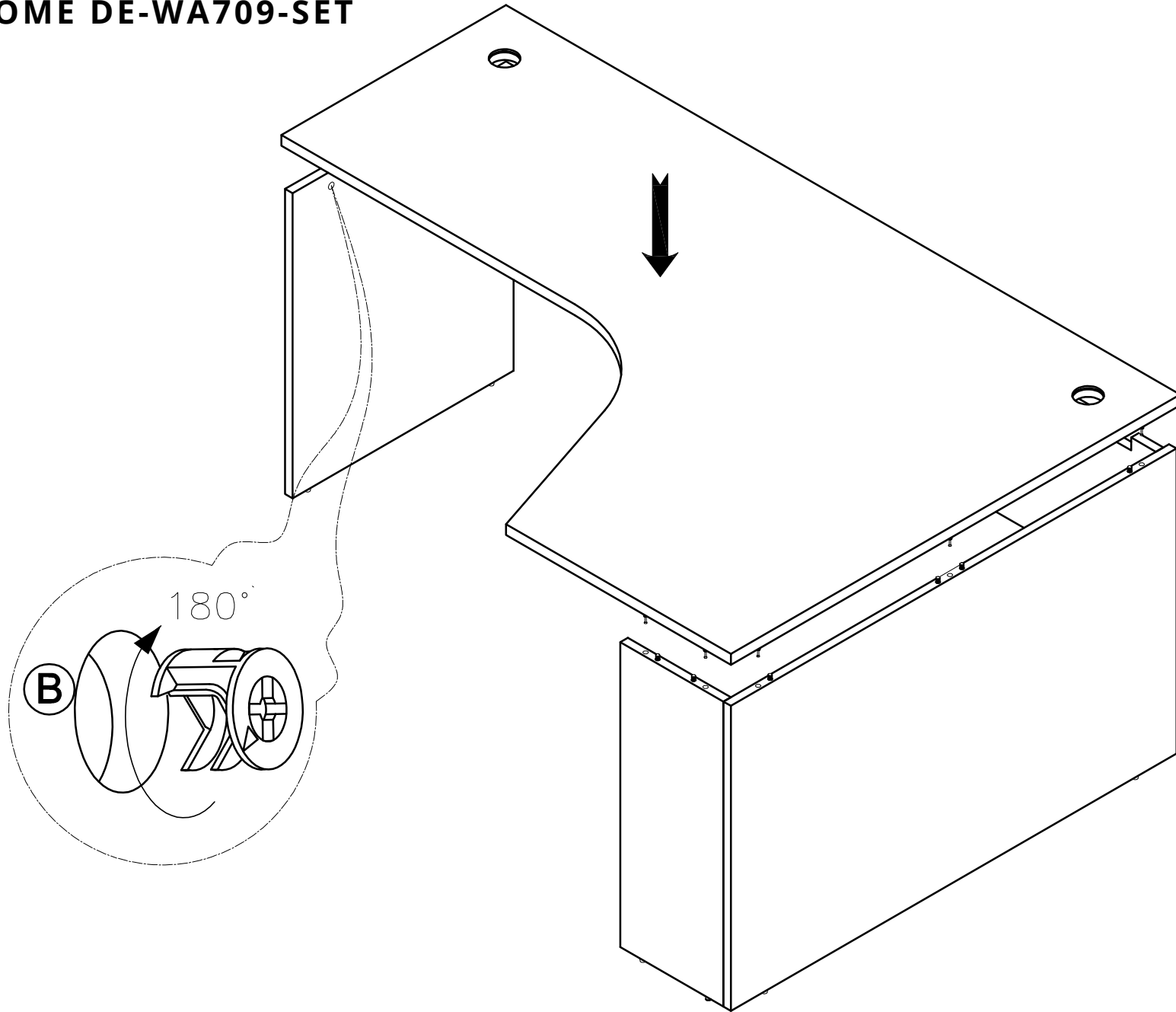
STEP 2





ASSEMBLY INSTRUCTION
BROOME DE-WA709-SET

STEP 3





ASSEMBLY INSTRUCTION
BROOME DE-WA709-SET

STEP 4

