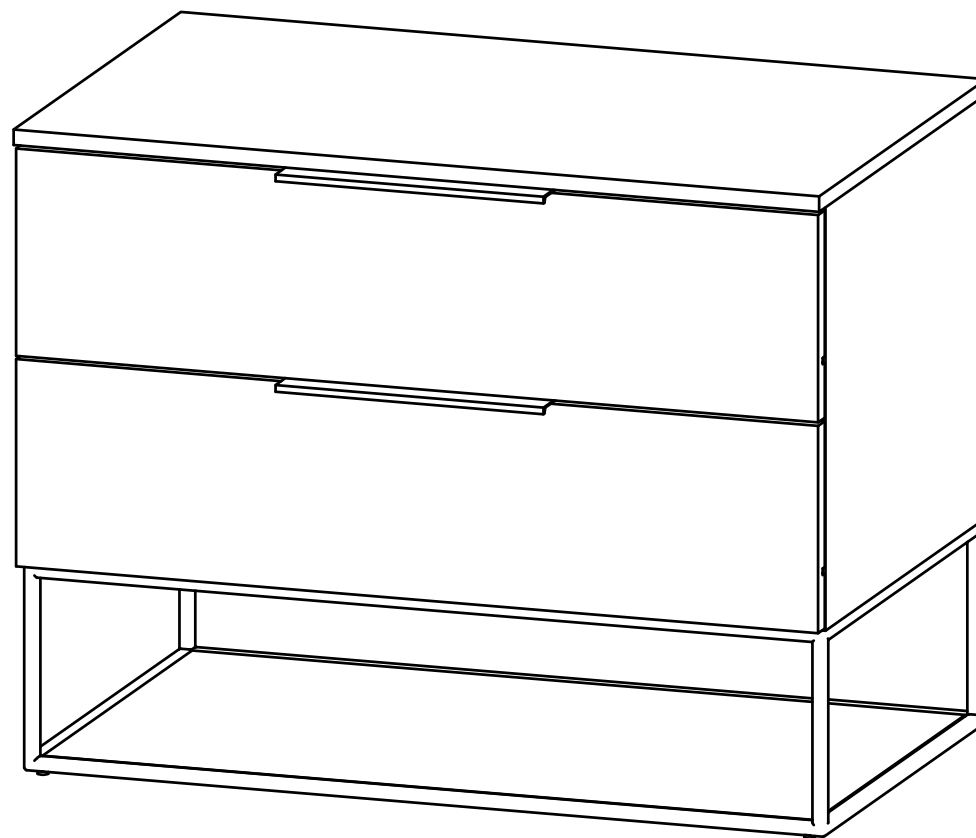


BOWERY



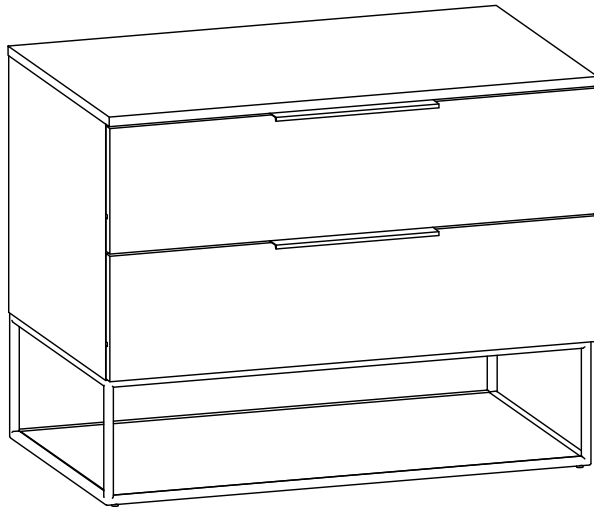
MODLOFT



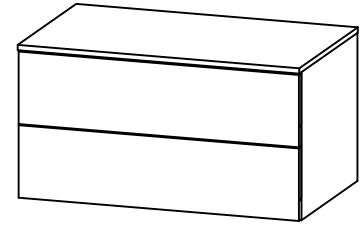
ASSEMBLY INSTRUCTION

BOWERY MD365A

PARTS



① x 1



② x 1



③ x 1 (Mirror)



④ x 2 (Handle)



HARDWARE



Ⓐ x 4



6Mx12mm

Ⓑ x 4



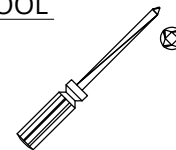
Ⓒ x 4



3.5x15mm

Ⓓ x 4

TOOL

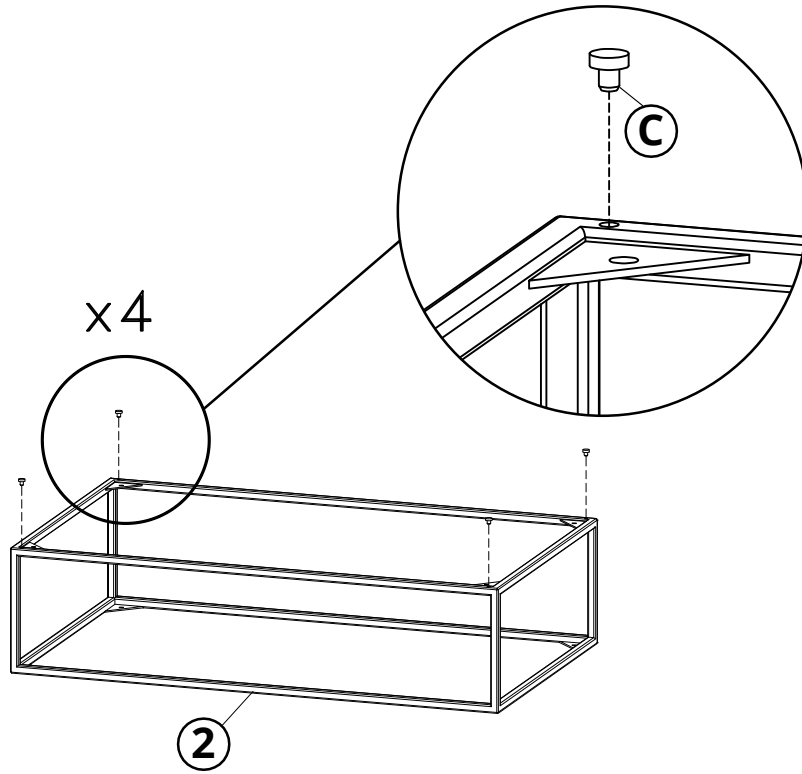


Ⓕ x 1

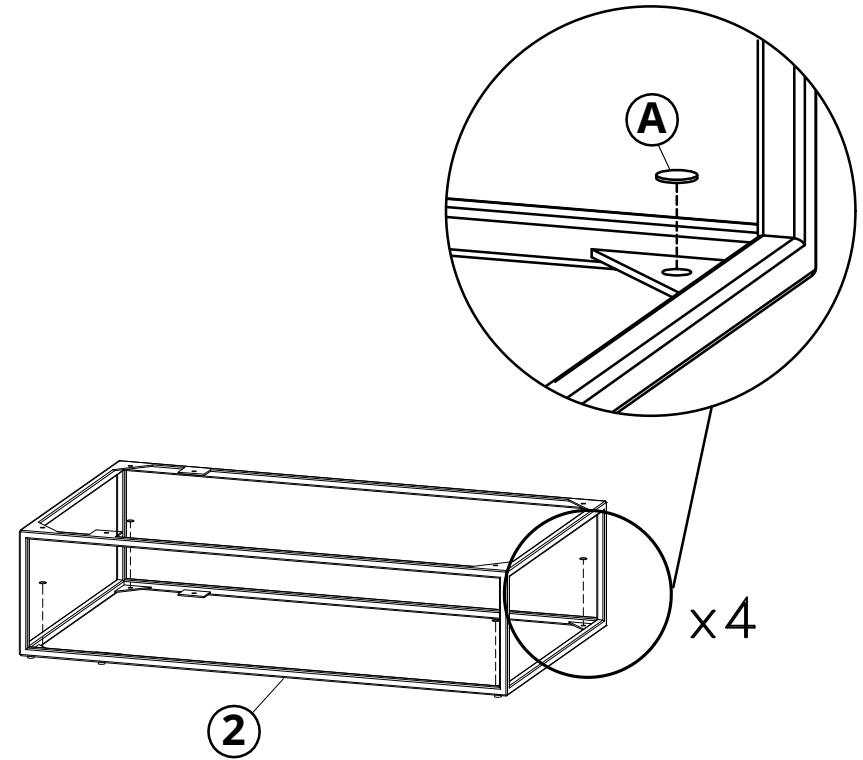


ASSEMBLY INSTRUCTION BOWERY MD365A

STEP 1



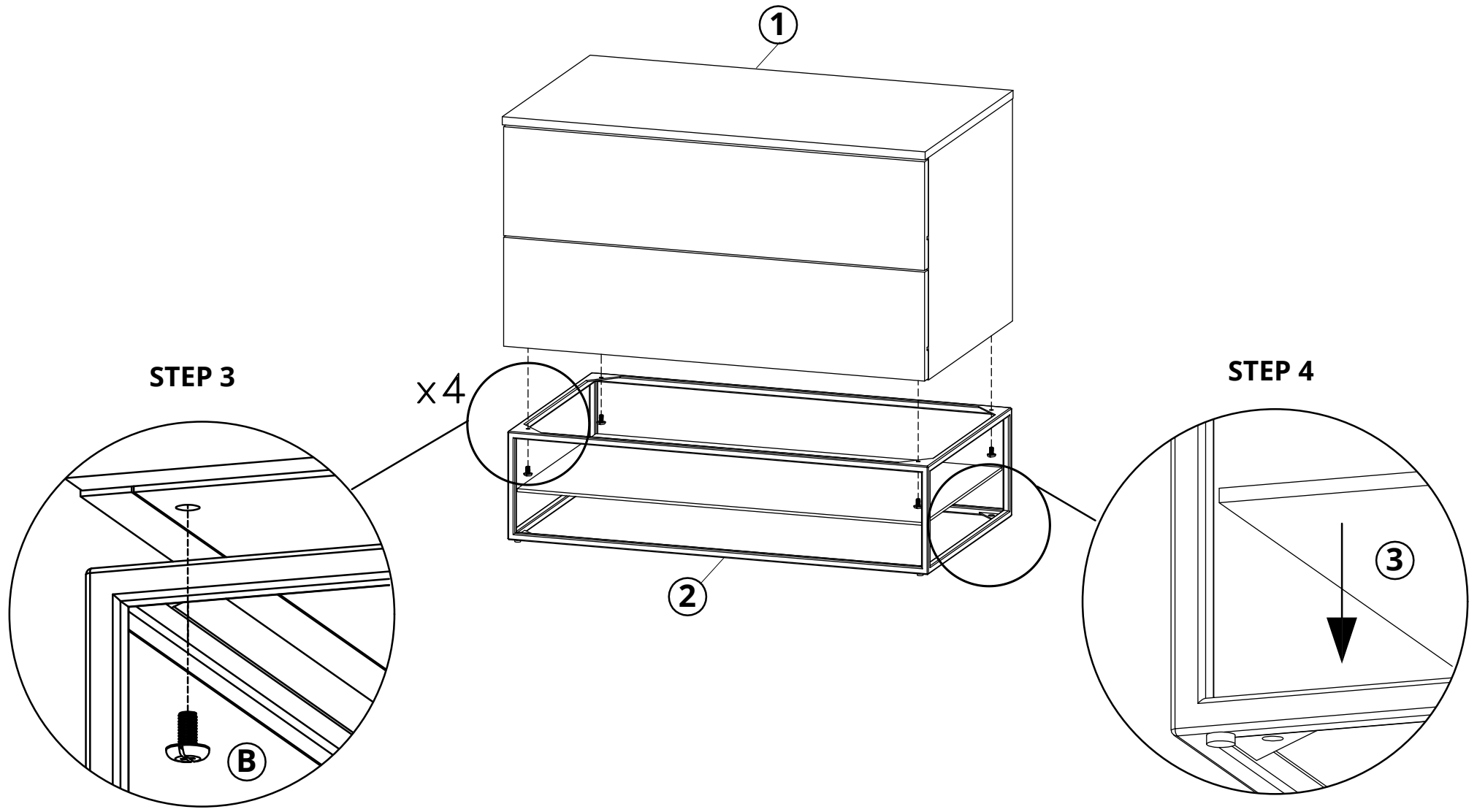
STEP 2





ASSEMBLY INSTRUCTION

BOWERY MD365A





ASSEMBLY INSTRUCTION
BOWERY MD365A

STEP 5

