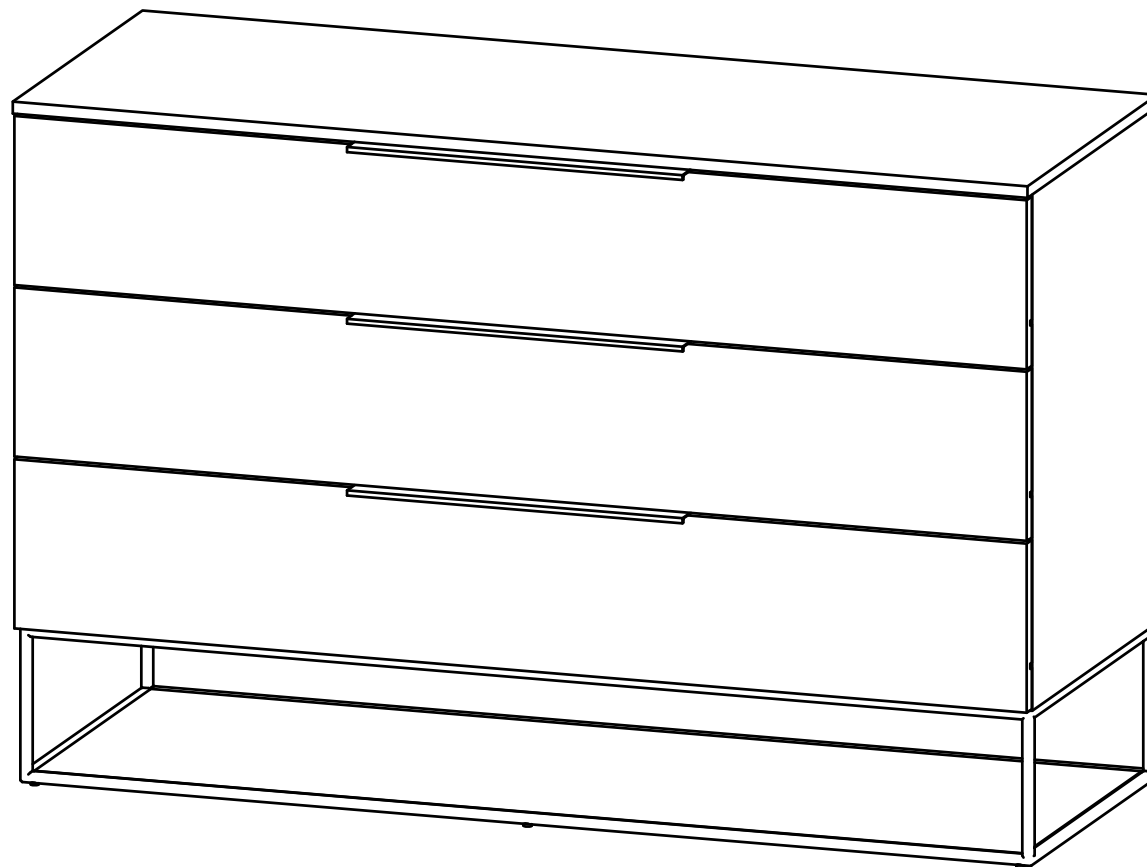


BOWERY



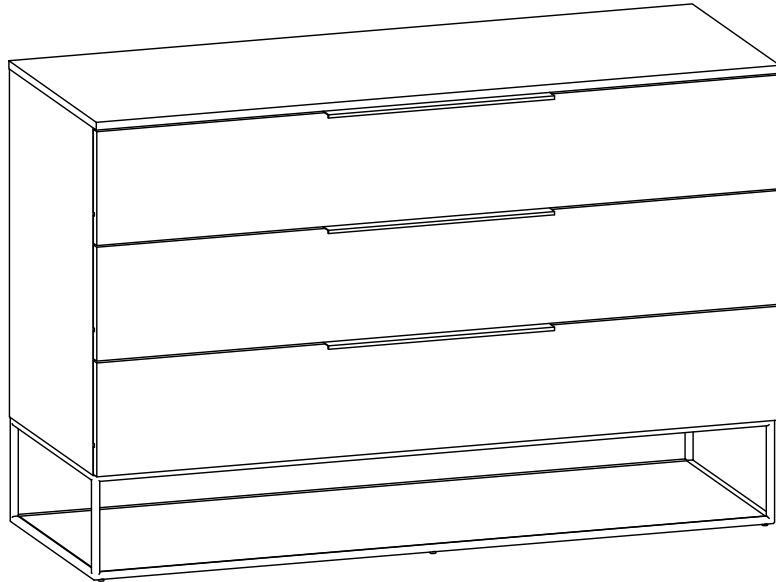
MODLOFT



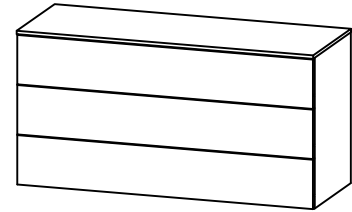
ASSEMBLY INSTRUCTION

BOWERY MD365-DR

PARTS



① x 1



② x 1



③ x 1 (Mirror)



④ x 3 (Handle)



HARDWARE



Ⓐ x 4



6Mx12mm

Ⓑ x 6



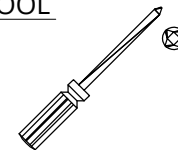
Ⓒ x 6



3.5x15mm

Ⓓ x 9

TOOL



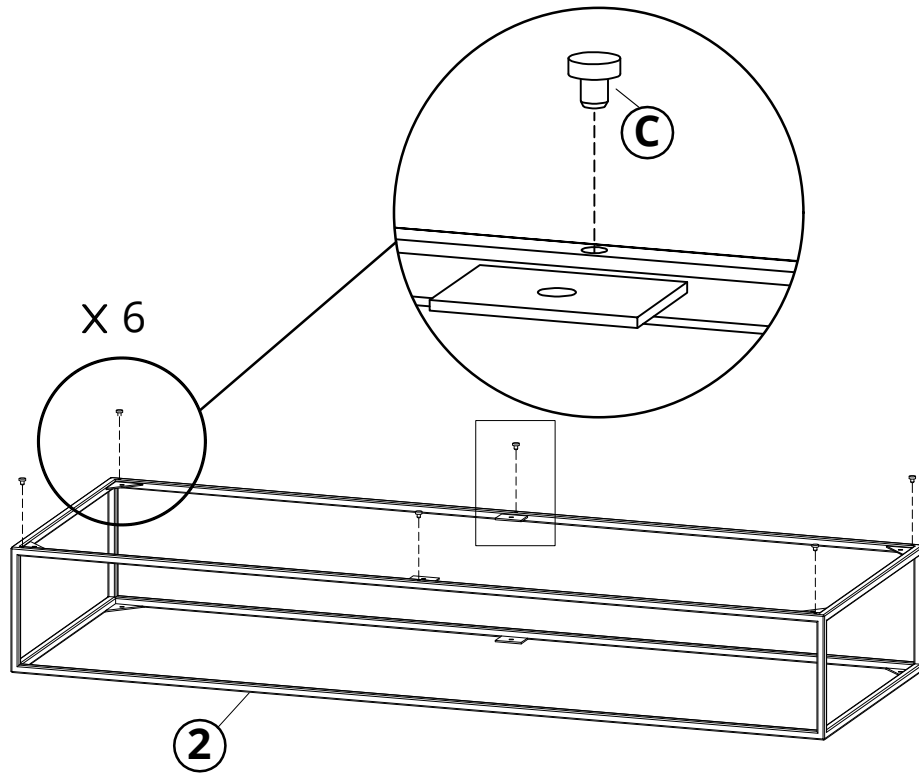
Ⓕ x 1



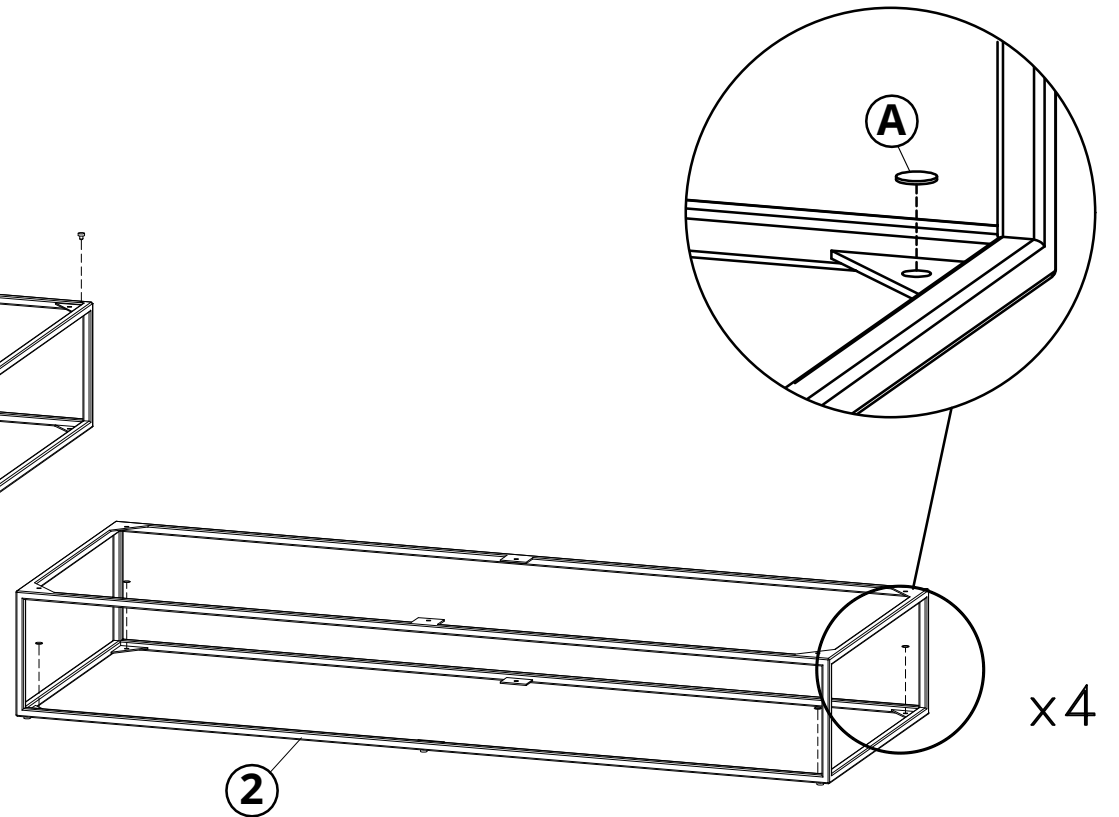
ASSEMBLY INSTRUCTION

BOWERY MD365-DR

STEP 1



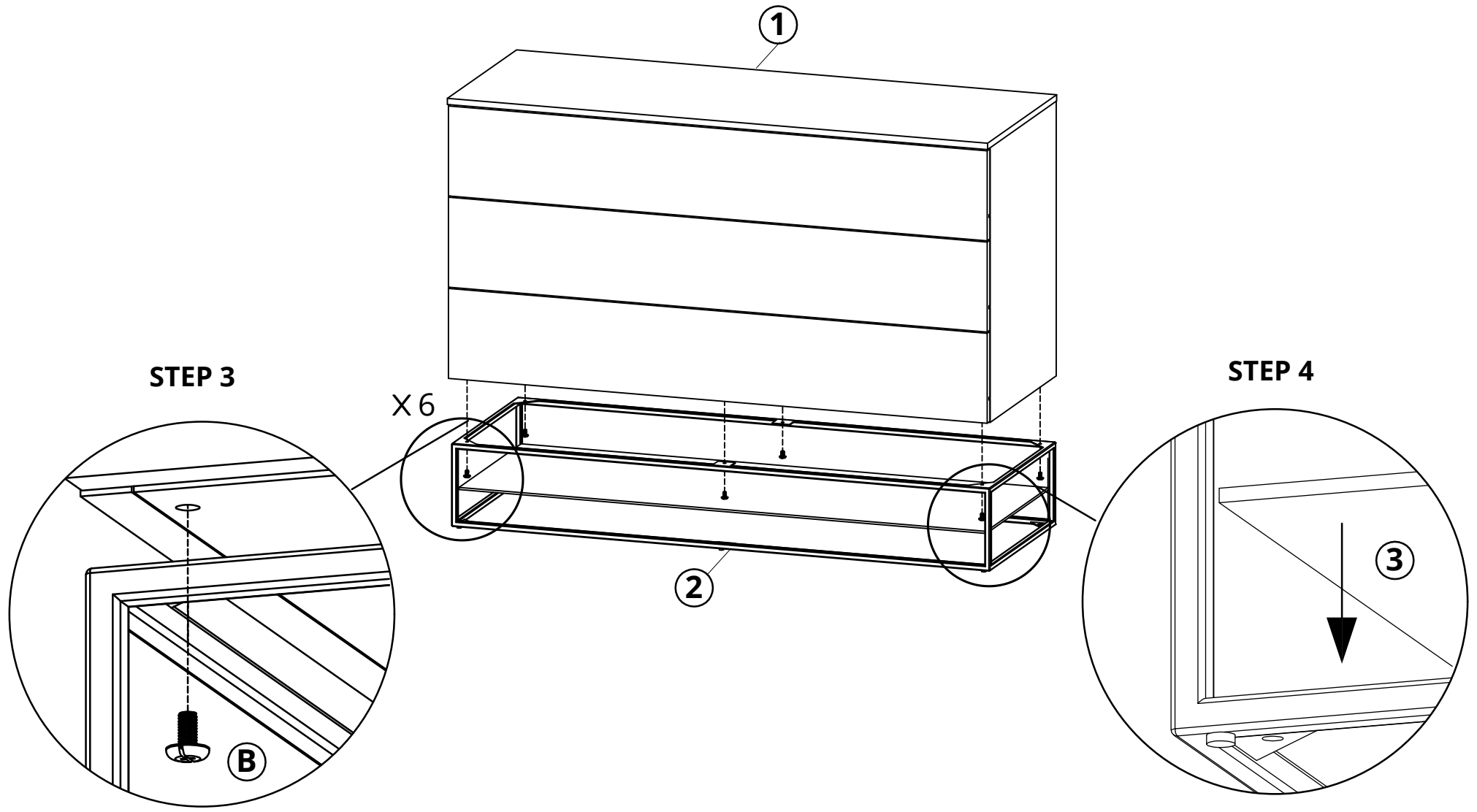
STEP 2





ASSEMBLY INSTRUCTION

BOWERY MD365-DR



STEP 3

X6

STEP 4

B

2

1

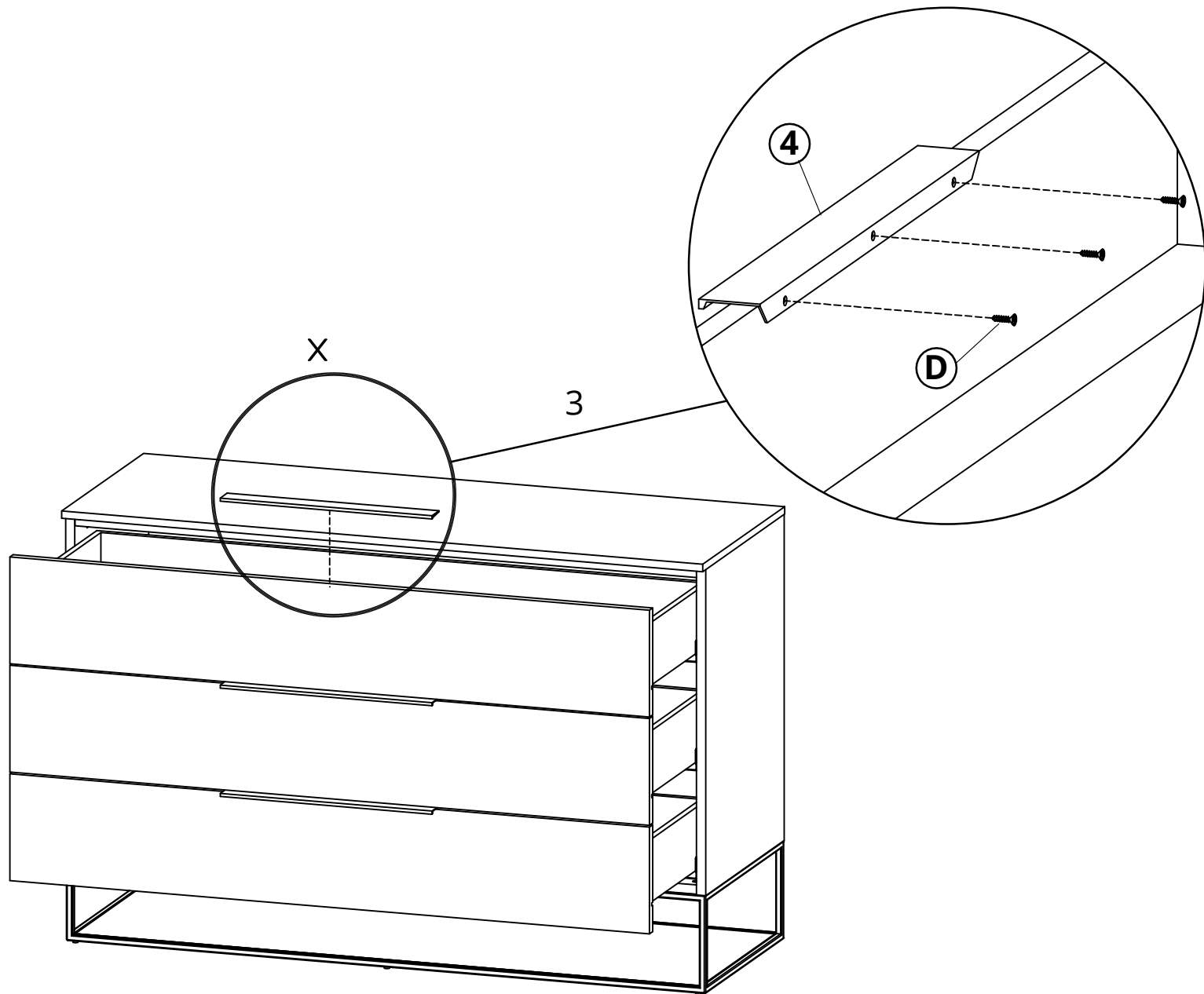
3



ASSEMBLY INSTRUCTION

BOWERY MD365-DR

STEP 6





ASSEMBLY INSTRUCTION

BOWERY MD365-DR

