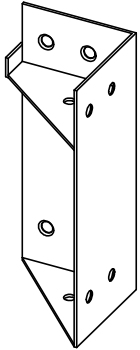
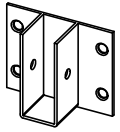


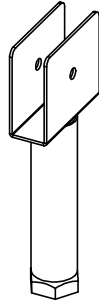
ASSEMBLY INSTRUCTION  
BOND MD314



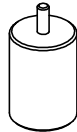
4X



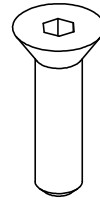
Q = 2X  
K/CK = 4X



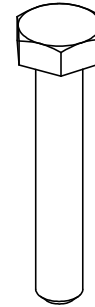
Q = 2X  
K/CK = 4X



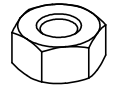
4X



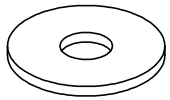
ALLEN 1/4 X1"  
Q = 40X  
K/CK = 48X



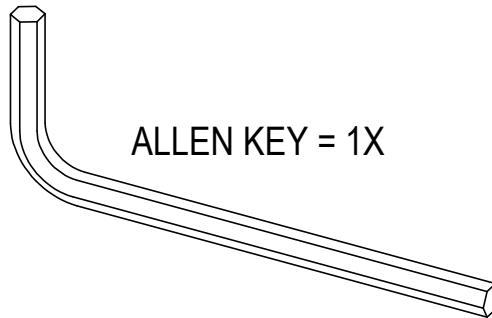
HEX HEAD 1/4 X1 1/2"  
Q = 2X  
K/CK = 4X



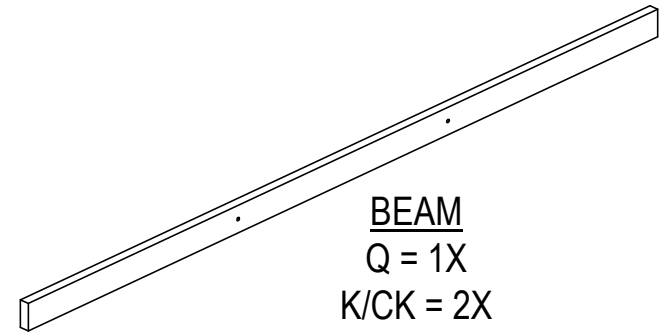
HEX NUT 1/4"  
Q = 2X  
K/CK = 4X



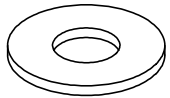
FLAT WASHER 1/4"  
Q = 2X  
K/CK = 4X



ALLEN KEY = 1X



BEAM  
Q = 1X  
K/CK = 2X



FLAT WASHER 5/16"  
4X

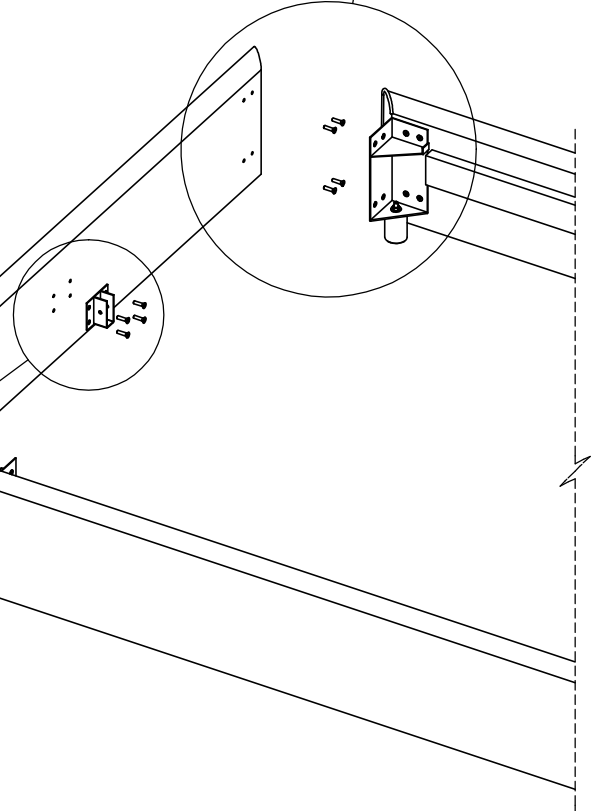
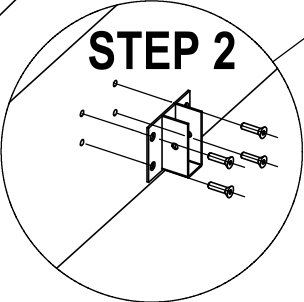
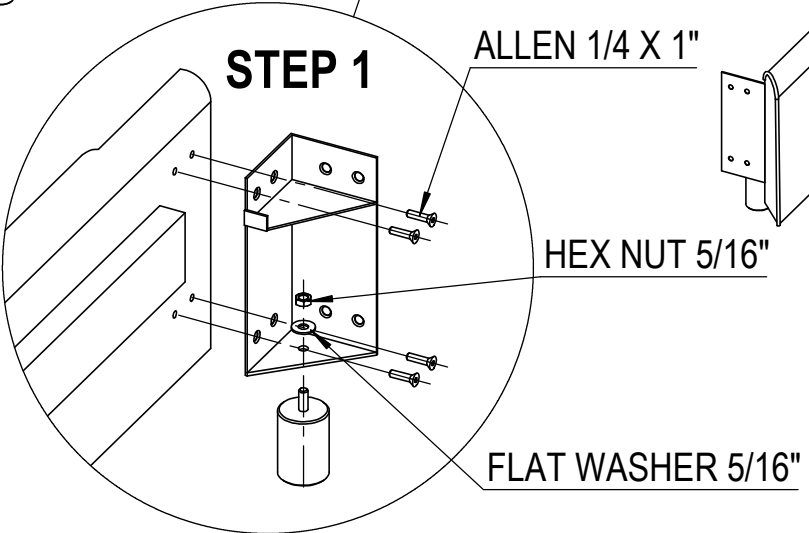
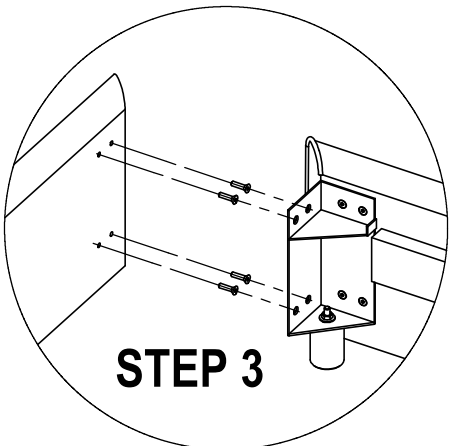
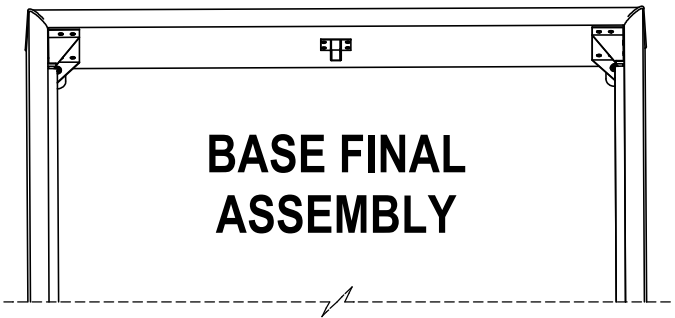
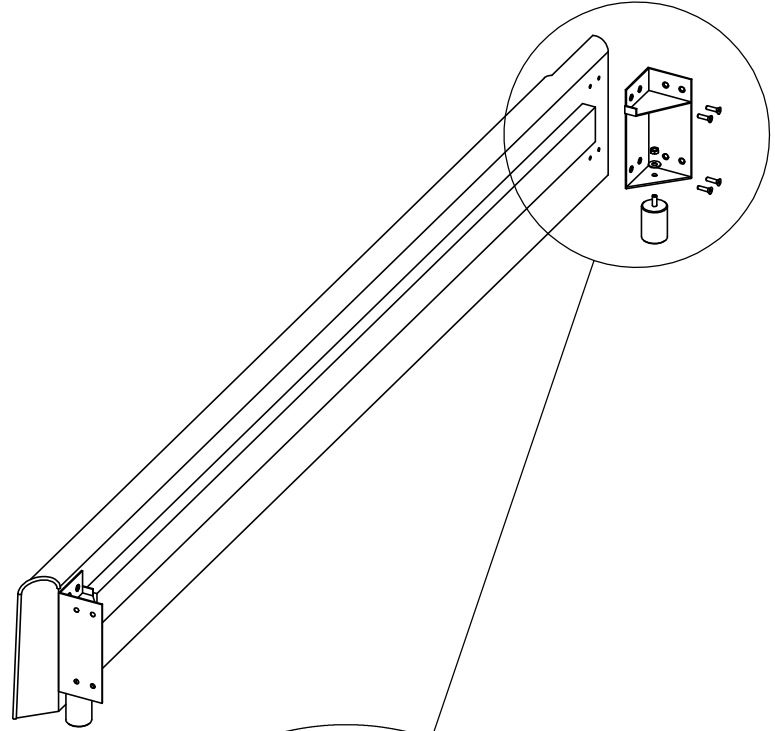


HEX NUT 5/16"  
4X

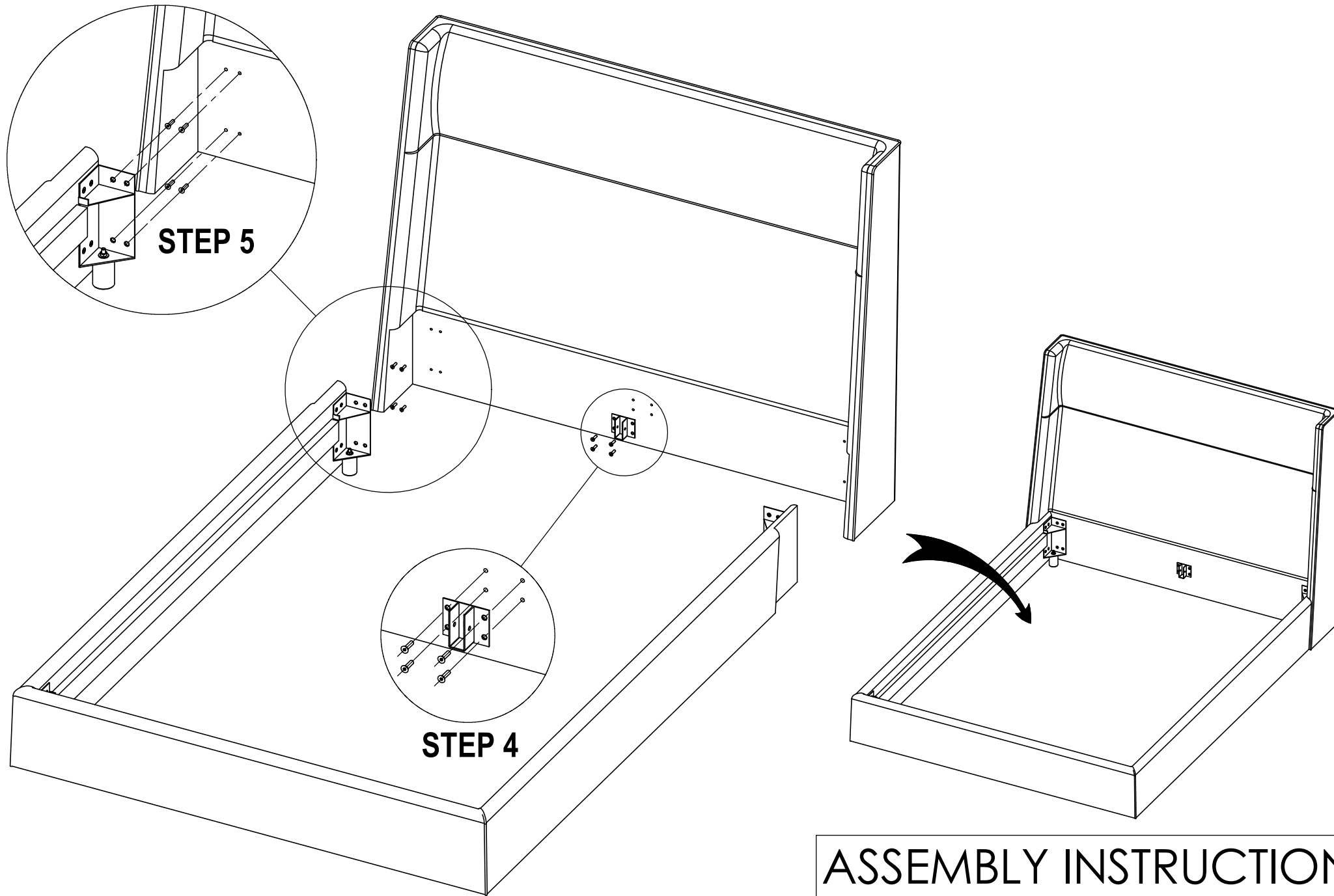
Q = QUEEN  
K/CK = KING/CAL-KING

# ASSEMBLY INSTRUCTION BOND MD314

# BASE FINAL ASSEMBLY



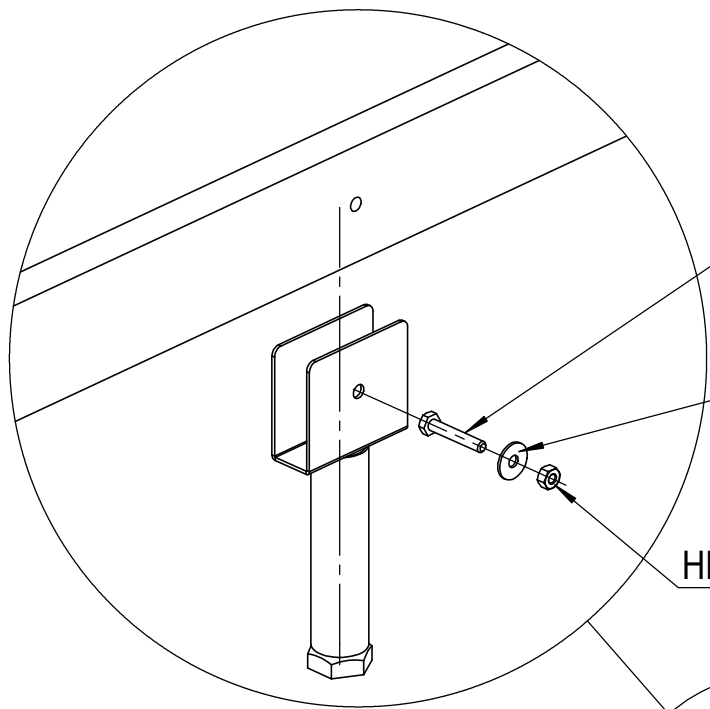
# ASSEMBLY INSTRUCTION BOND MD314



**STEP 5**

**STEP 4**

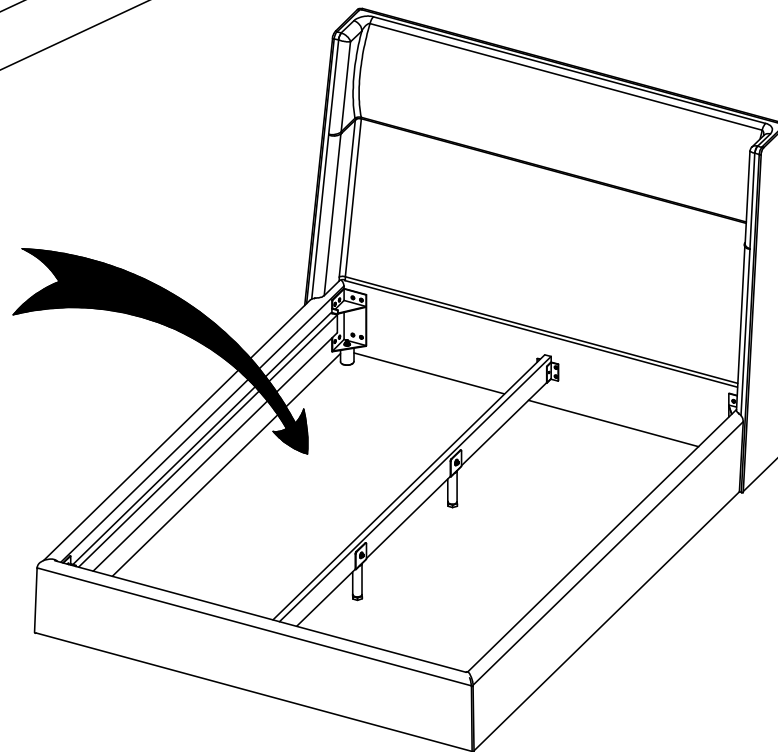
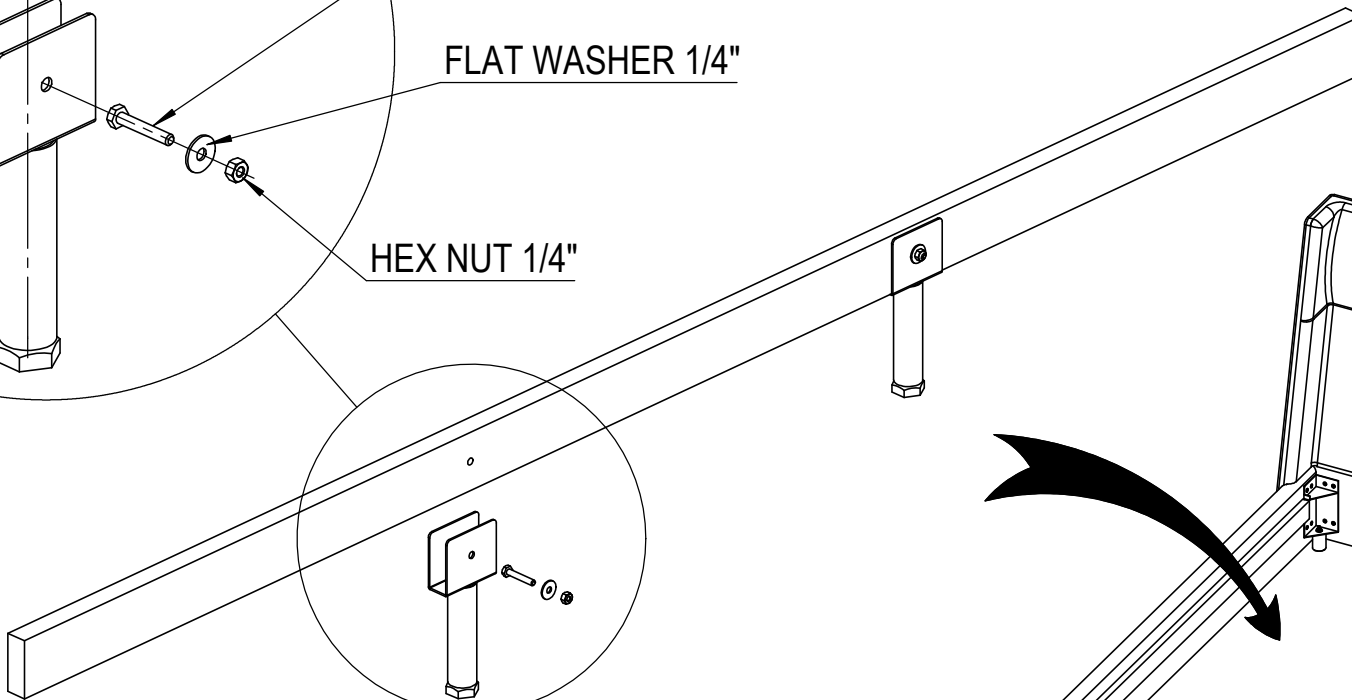
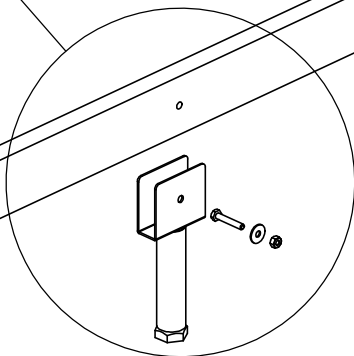
**ASSEMBLY INSTRUCTION  
BOND MD314**



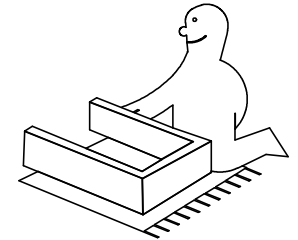
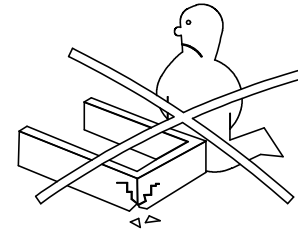
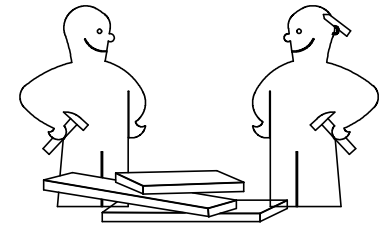
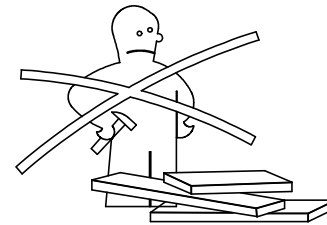
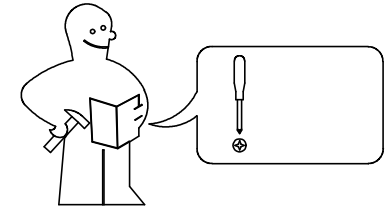
HEX HEAD 1/4 X 1 1/2"

FLAT WASHER 1/4"

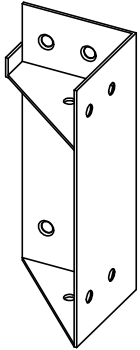
HEX NUT 1/4"



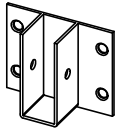
ASSEMBLY INSTRUCTION  
BOND MD314



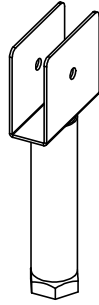
ASSEMBLY INSTRUCTION  
BOND MD314



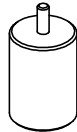
4X



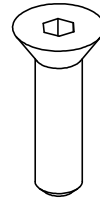
Q = 2X  
K/CK = 4X



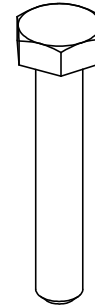
Q = 2X  
K/CK = 4X



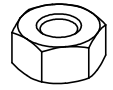
4X



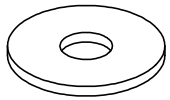
ALLEN 1/4 X1"  
Q = 40X  
K/CK = 48X



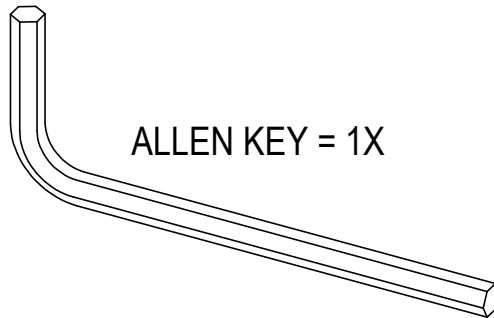
HEX HEAD 1/4 X1 1/2"  
Q = 2X  
K/CK = 4X



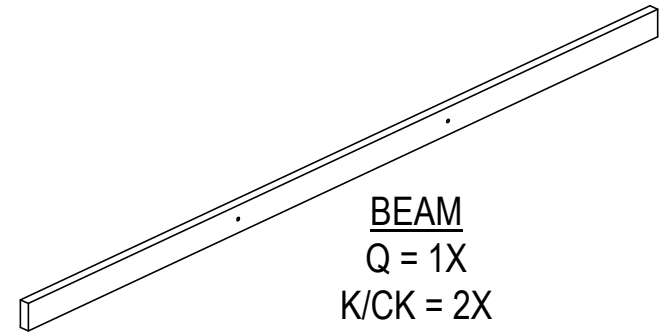
HEX NUT 1/4"  
Q = 2X  
K/CK = 4X



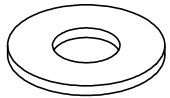
FLAT WASHER 1/4"  
Q = 2X  
K/CK = 4X



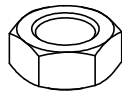
ALLEN KEY = 1X



BEAM  
Q = 1X  
K/CK = 2X



FLAT WASHER 5/16"  
4X

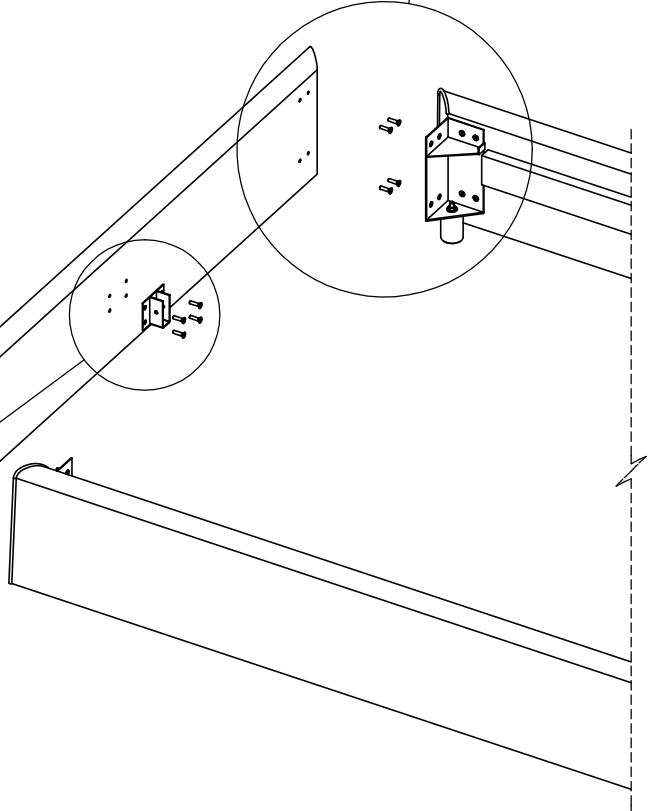
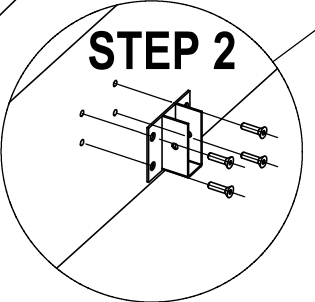
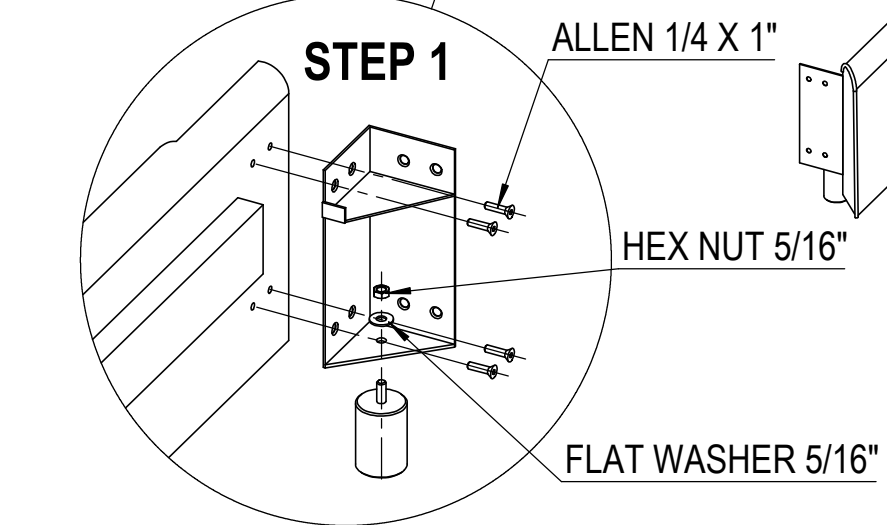
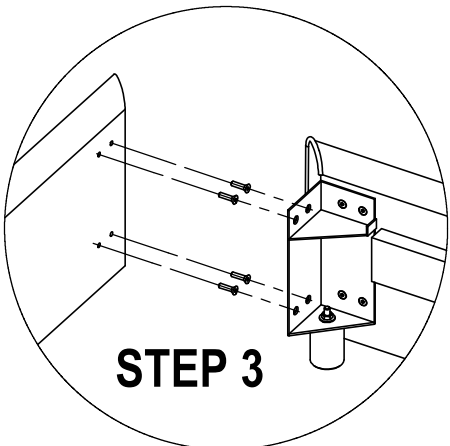
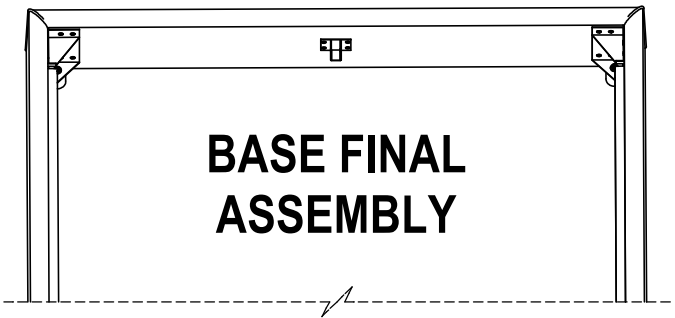
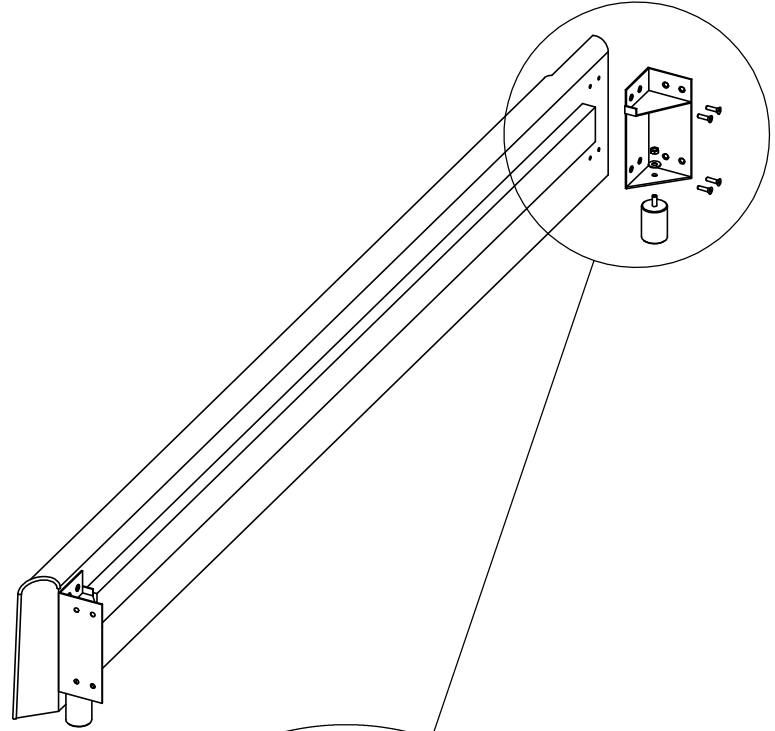


HEX NUT 5/16"  
4X

Q = QUEEN  
K/CK = KING/CAL-KING

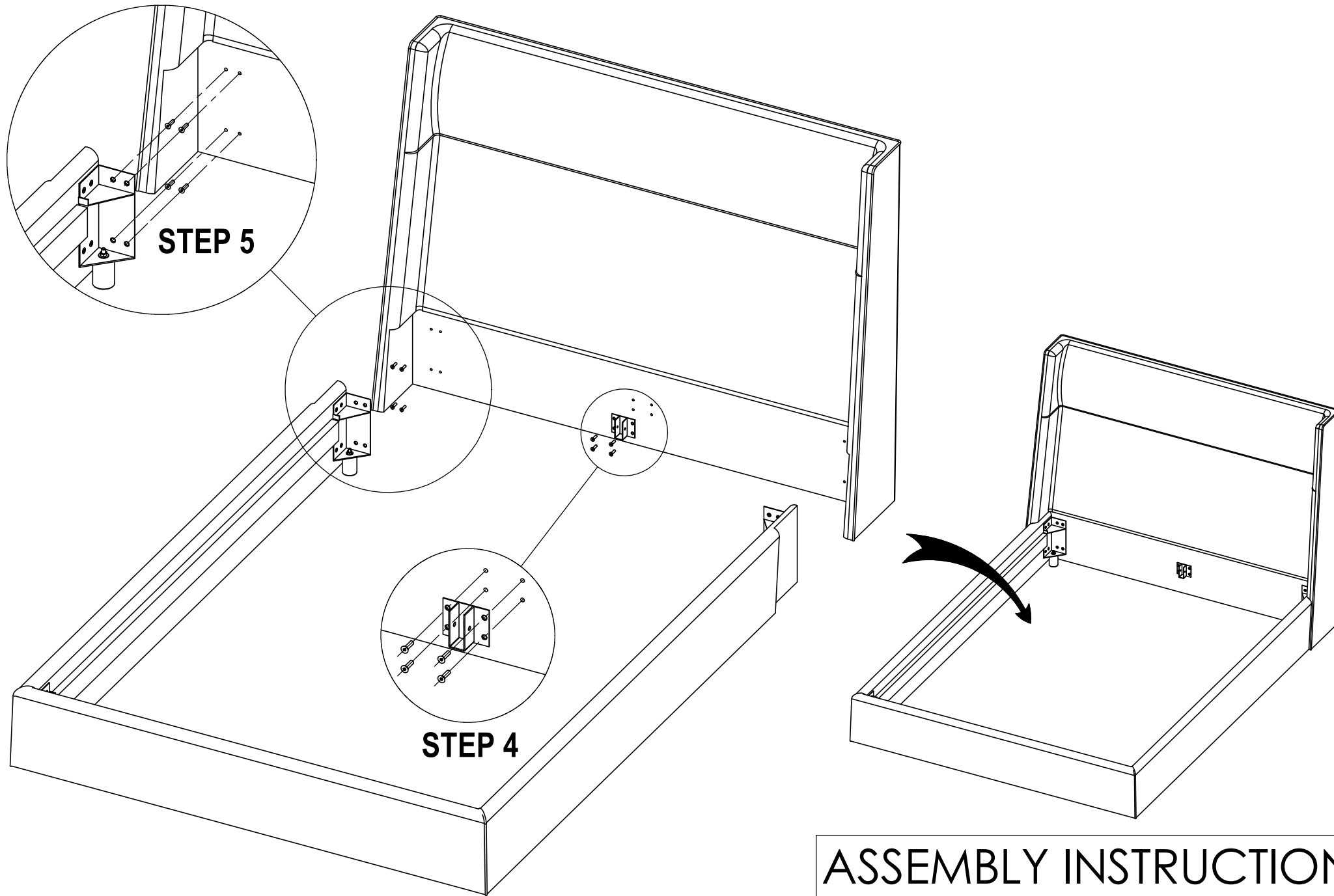
# ASSEMBLY INSTRUCTION BOND MD314

# BASE FINAL ASSEMBLY



# ASSEMBLY INSTRUCTION BOND MD314

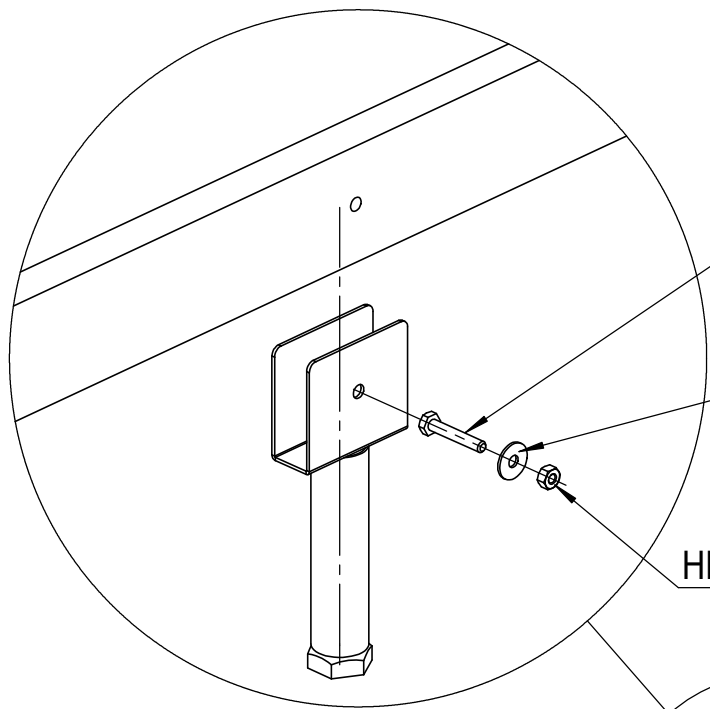




**STEP 5**

**STEP 4**

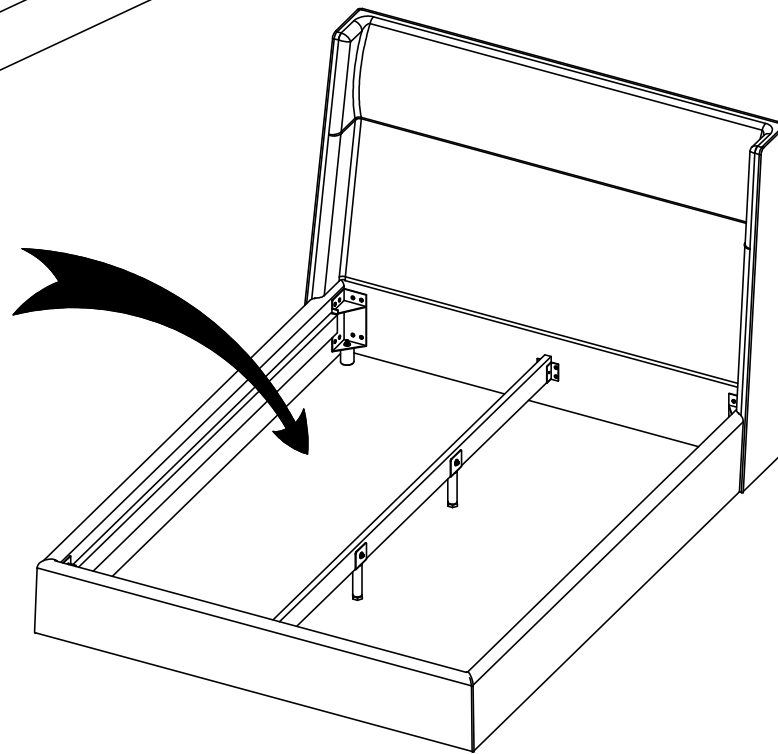
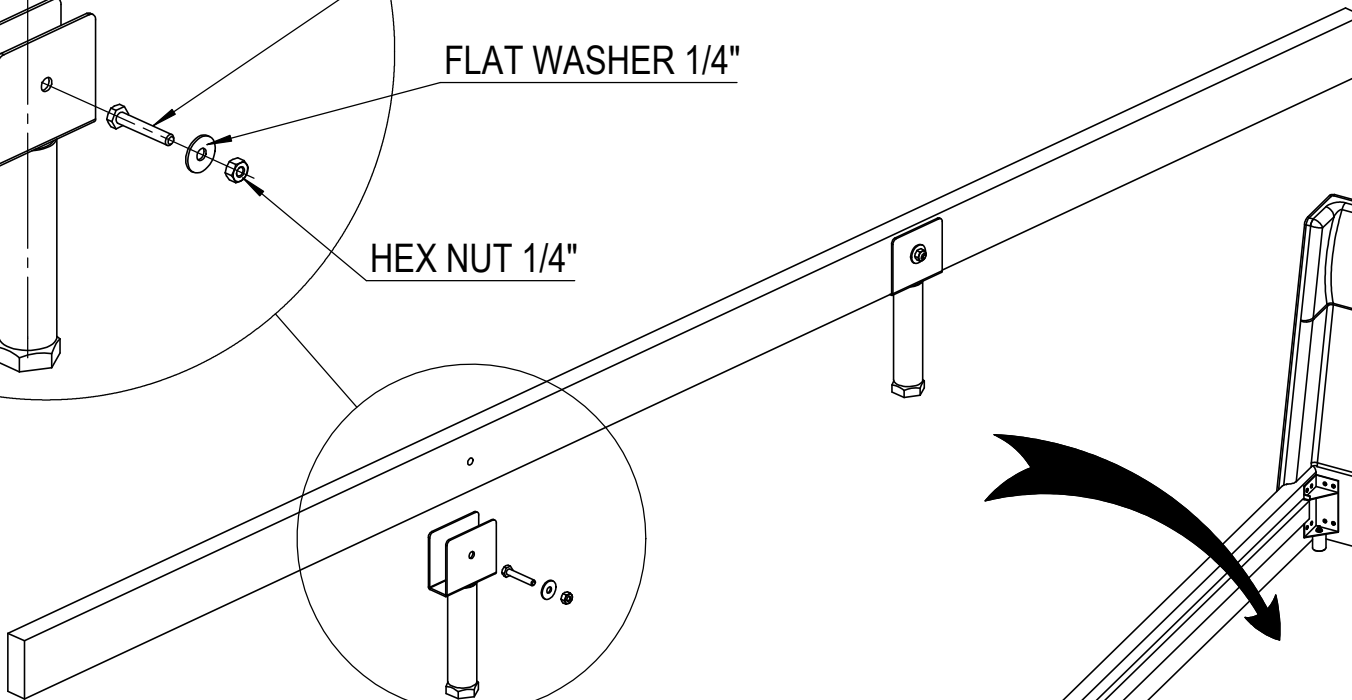
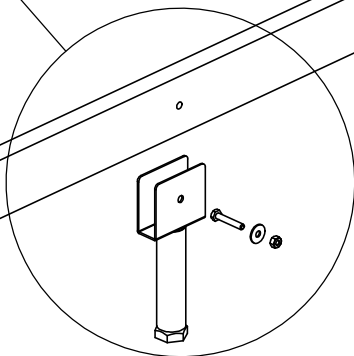
**ASSEMBLY INSTRUCTION  
BOND MD314**



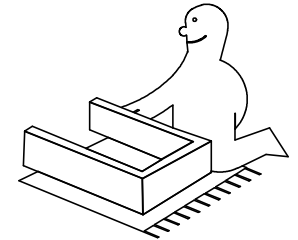
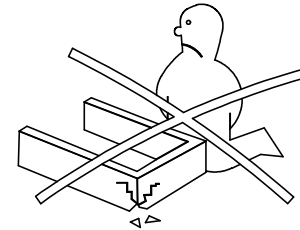
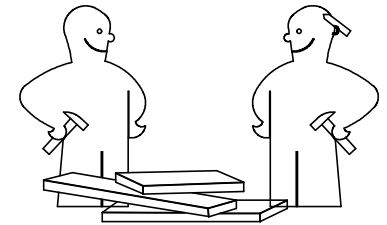
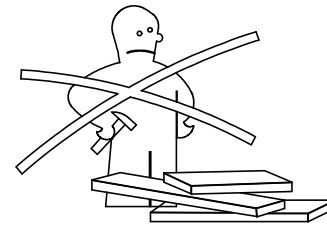
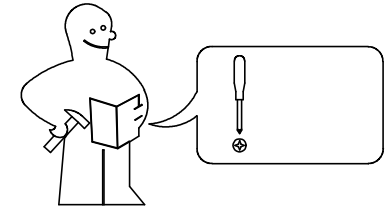
HEX HEAD 1/4 X 1 1/2"

FLAT WASHER 1/4"

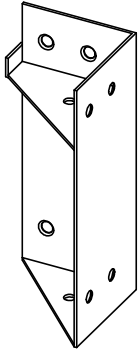
HEX NUT 1/4"



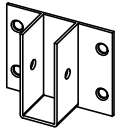
ASSEMBLY INSTRUCTION  
BOND MD314



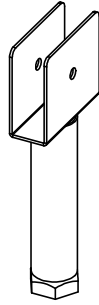
ASSEMBLY INSTRUCTION  
BOND MD314



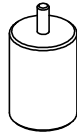
4X



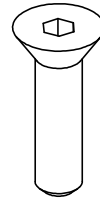
Q = 2X  
K/CK = 4X



Q = 2X  
K/CK = 4X



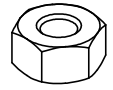
4X



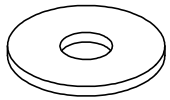
ALLEN 1/4 X1"  
Q = 40X  
K/CK = 48X



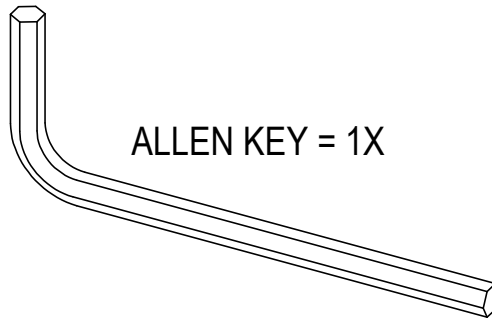
HEX HEAD 1/4 X1 1/2"  
Q = 2X  
K/CK = 4X



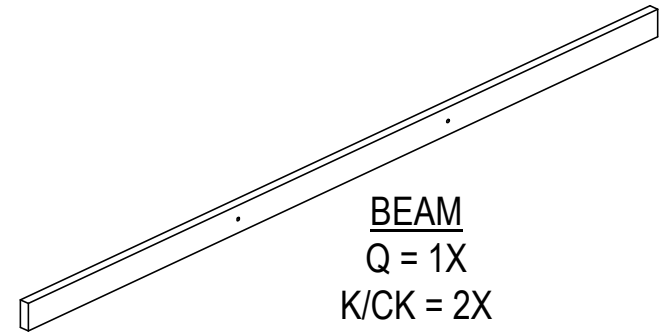
HEX NUT 1/4"  
Q = 2X  
K/CK = 4X



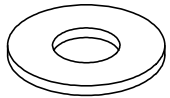
FLAT WASHER 1/4"  
Q = 2X  
K/CK = 4X



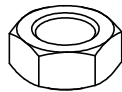
ALLEN KEY = 1X



BEAM  
Q = 1X  
K/CK = 2X



FLAT WASHER 5/16"  
4X

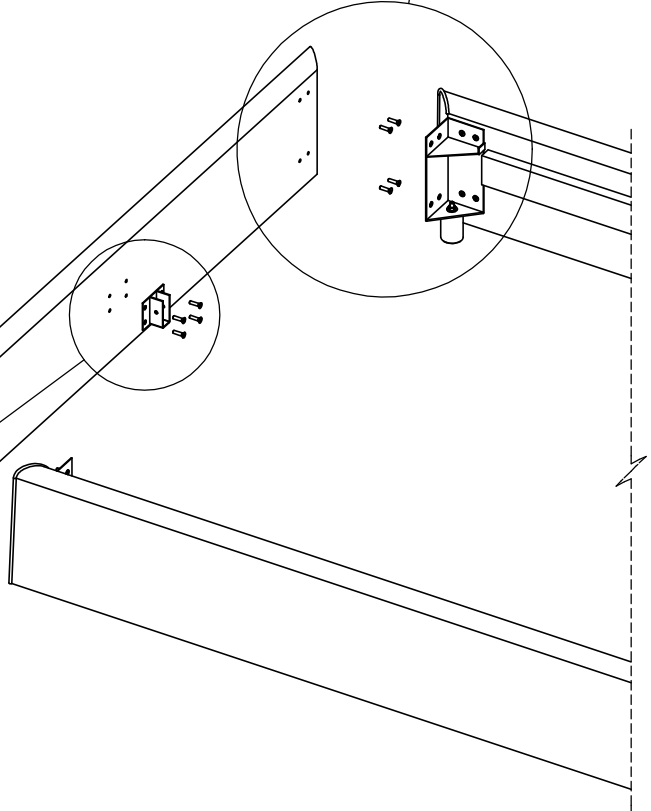
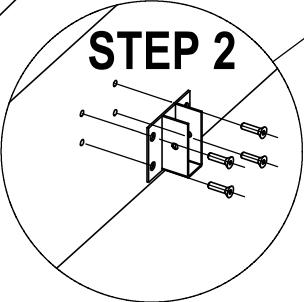
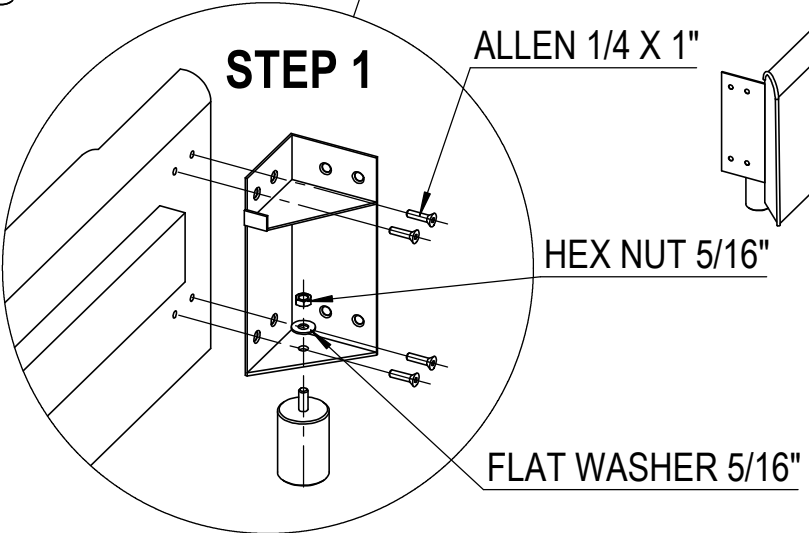
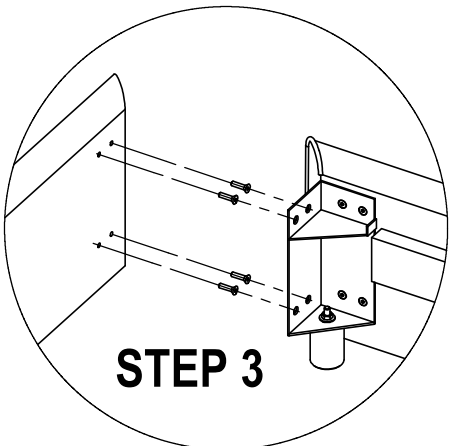
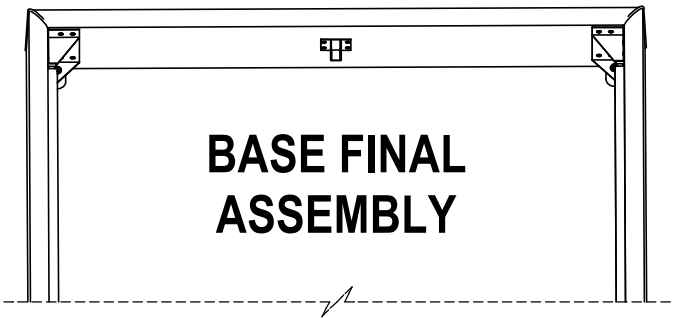
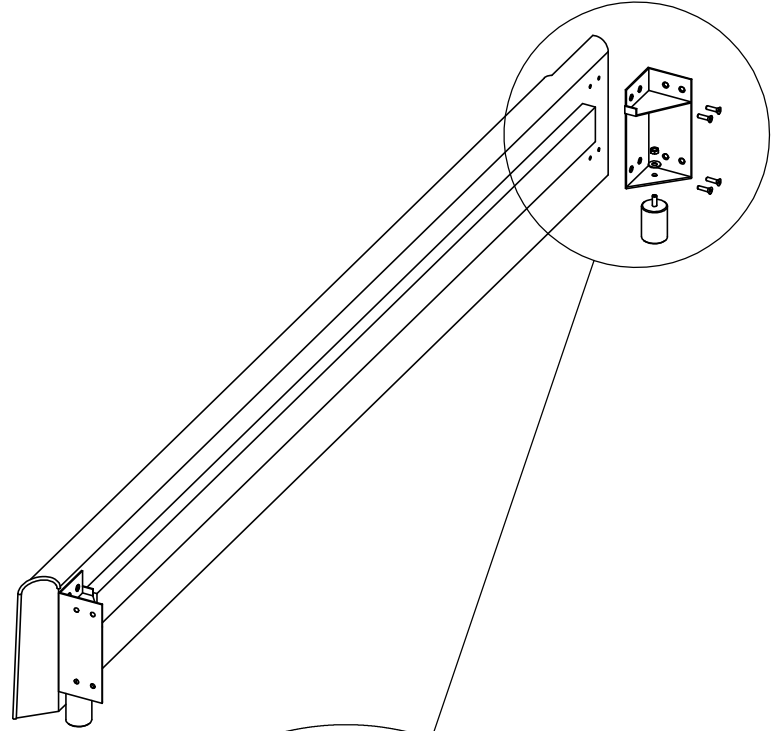


HEX NUT 5/16"  
4X

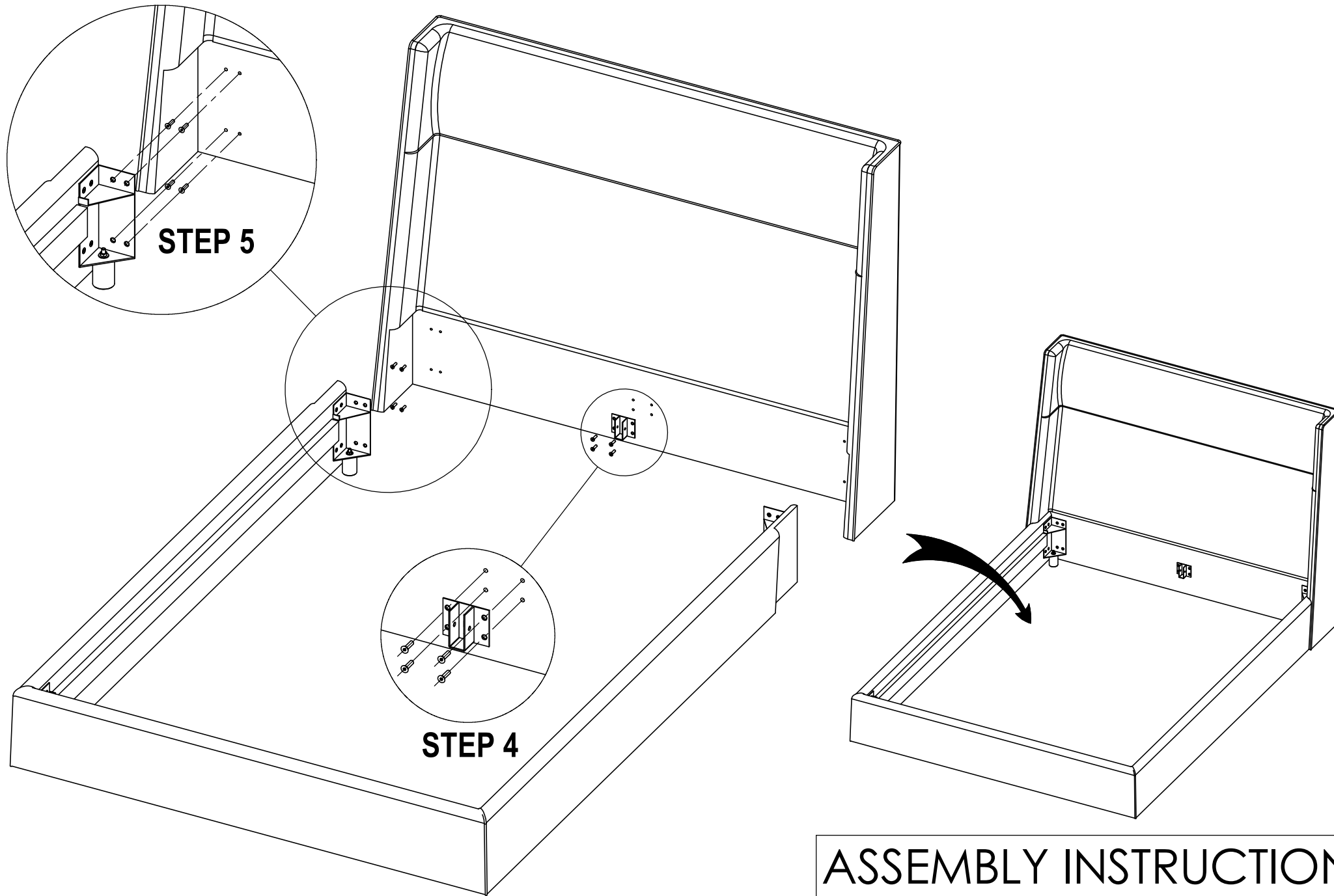
Q = QUEEN  
K/CK = KING/CAL-KING

# ASSEMBLY INSTRUCTION BOND MD314

# BASE FINAL ASSEMBLY



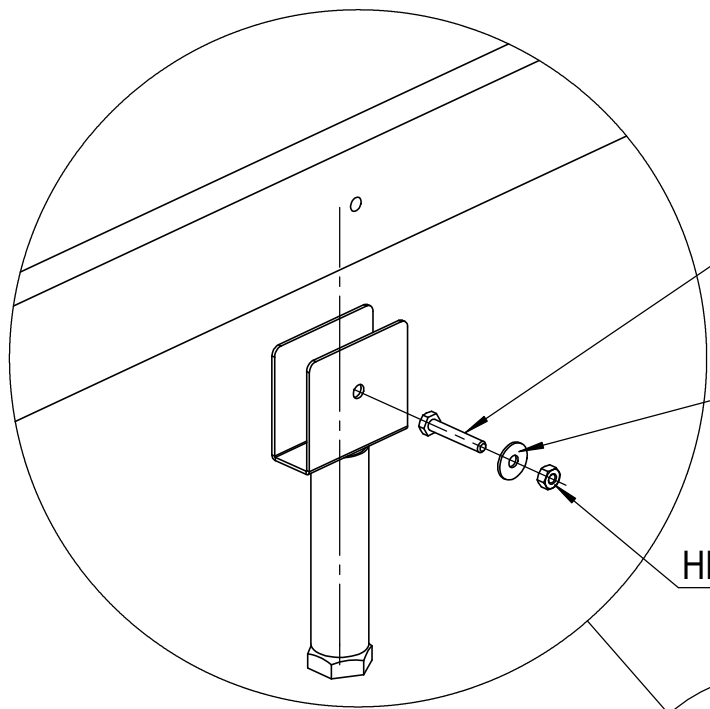
# ASSEMBLY INSTRUCTION BOND MD314



**STEP 5**

**STEP 4**

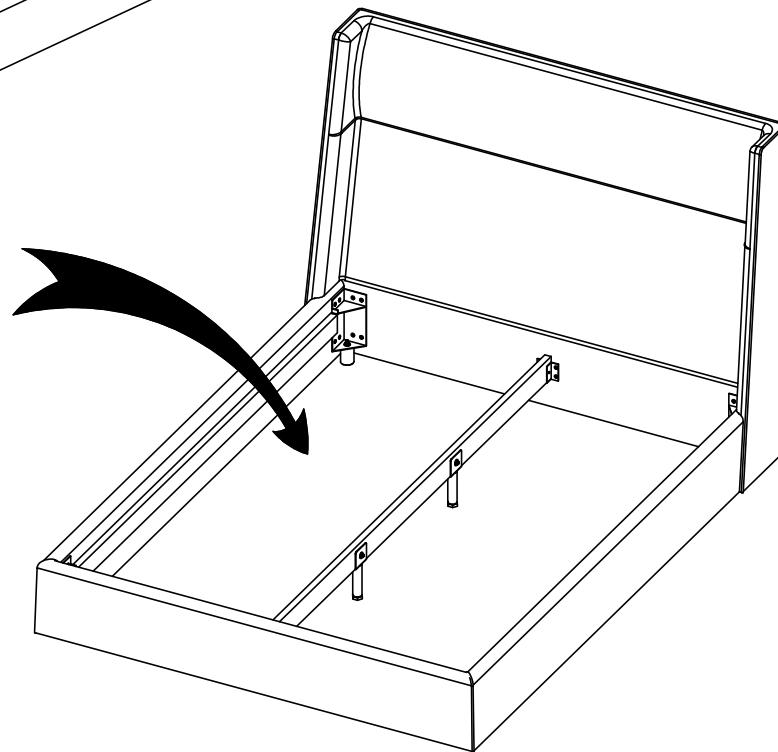
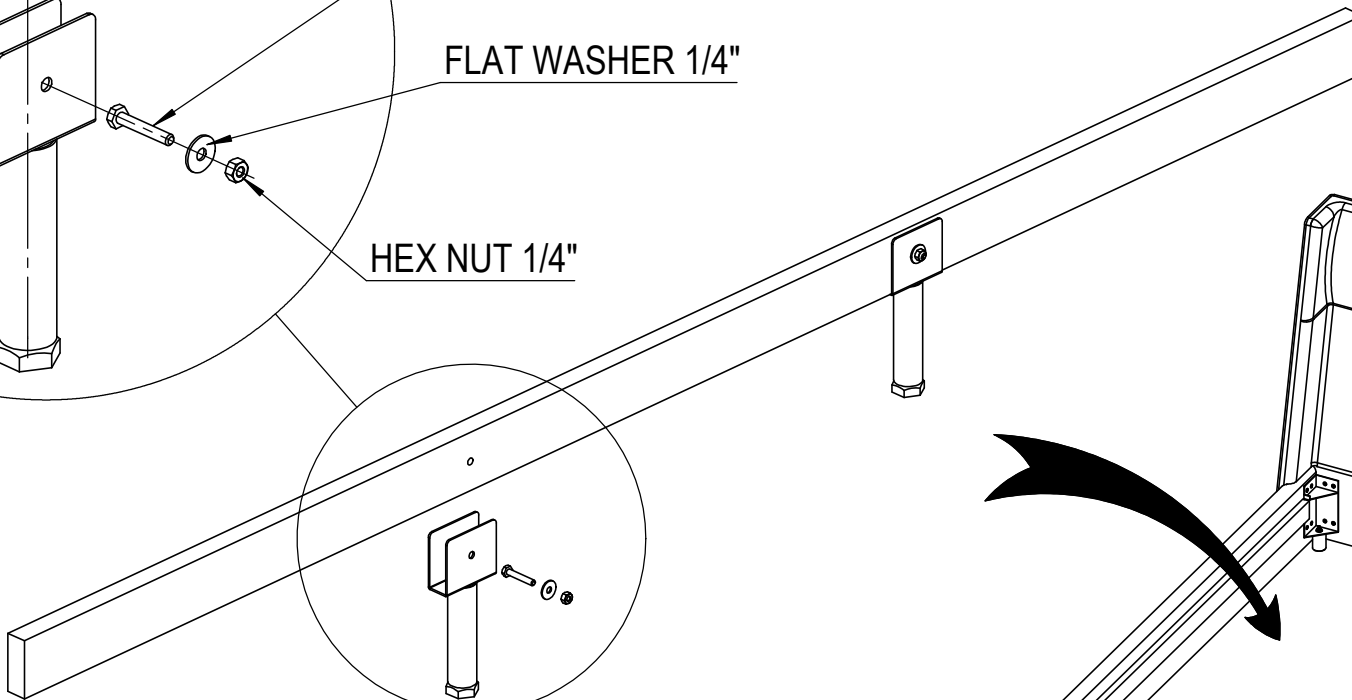
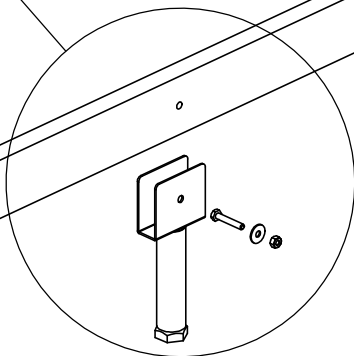
**ASSEMBLY INSTRUCTION  
BOND MD314**



HEX HEAD 1/4 X 1 1/2"

FLAT WASHER 1/4"

HEX NUT 1/4"



ASSEMBLY INSTRUCTION  
BOND MD314