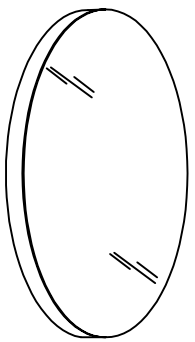
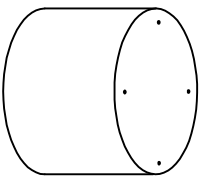


MD514 Assembly Instructions

Parts



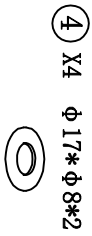
① X1



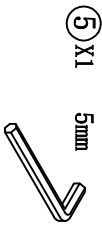
② X1



③ X4 M8*30

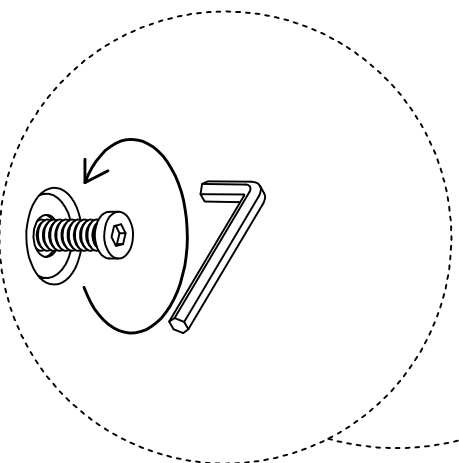
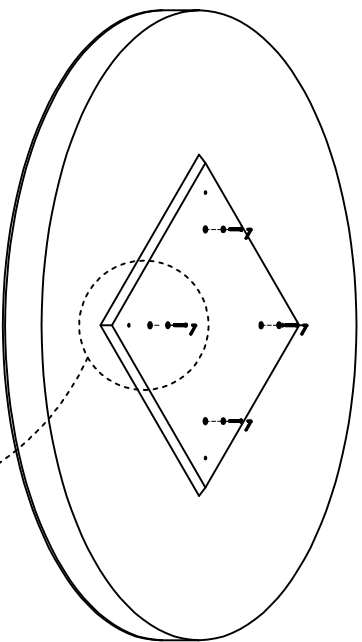


④ X4 $\phi 17 * \phi 8 * 2$



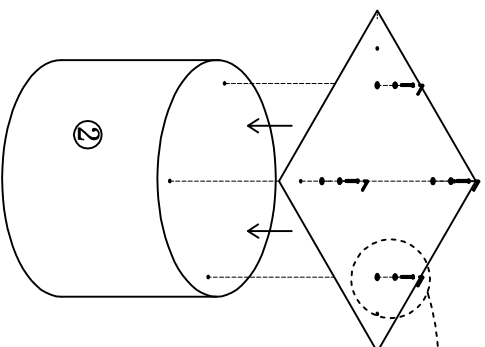
⑤ X1 5mm

1:

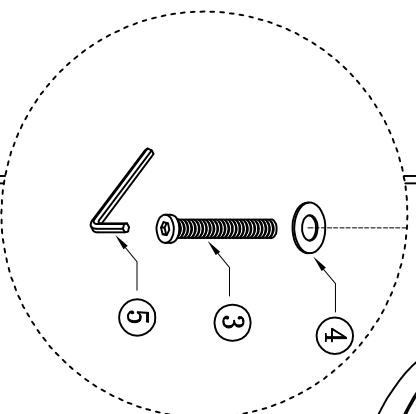
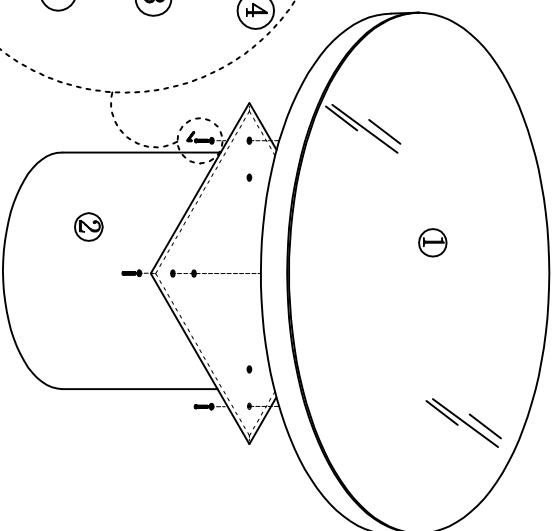


disassemble

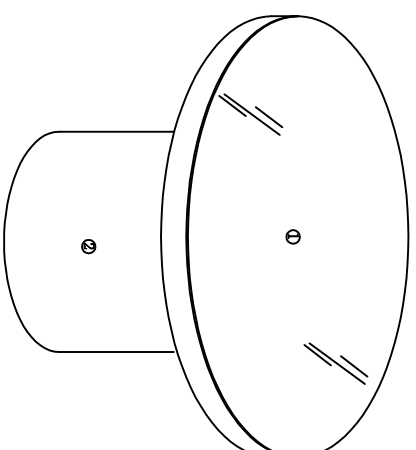
2:



3:



4:



4:

Page 1/1