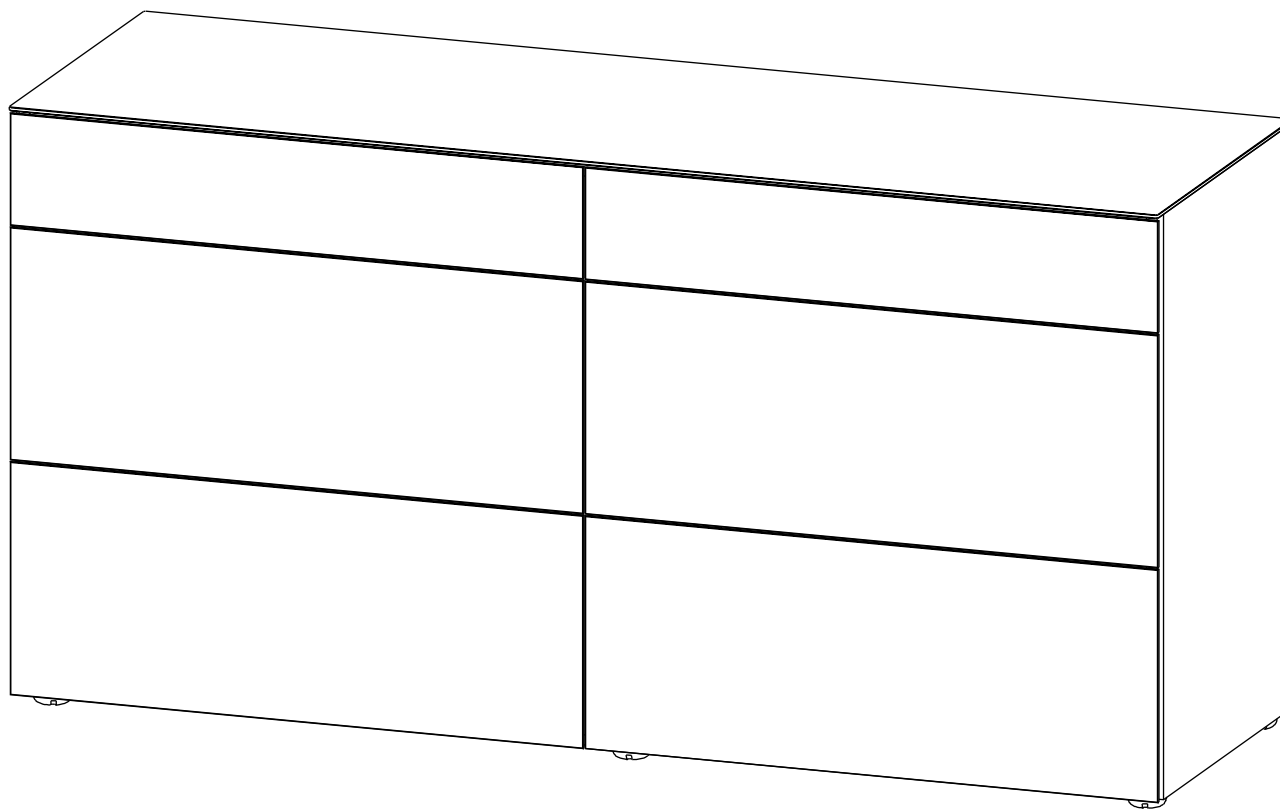


BEDFORD

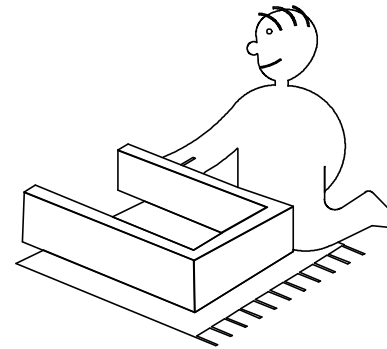
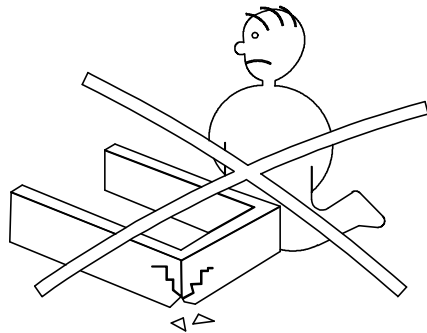
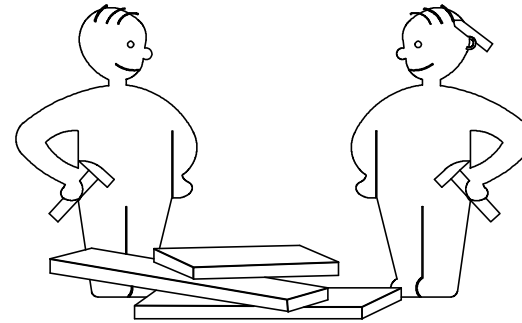
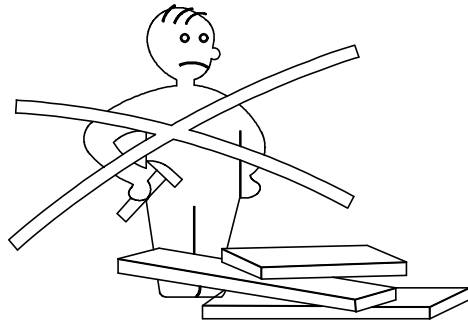
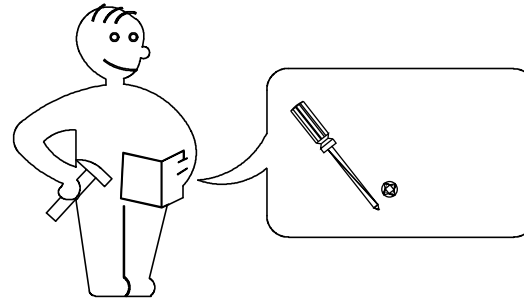


MODLOFT



ASSEMBLY INSTRUCTION

MD320-DR

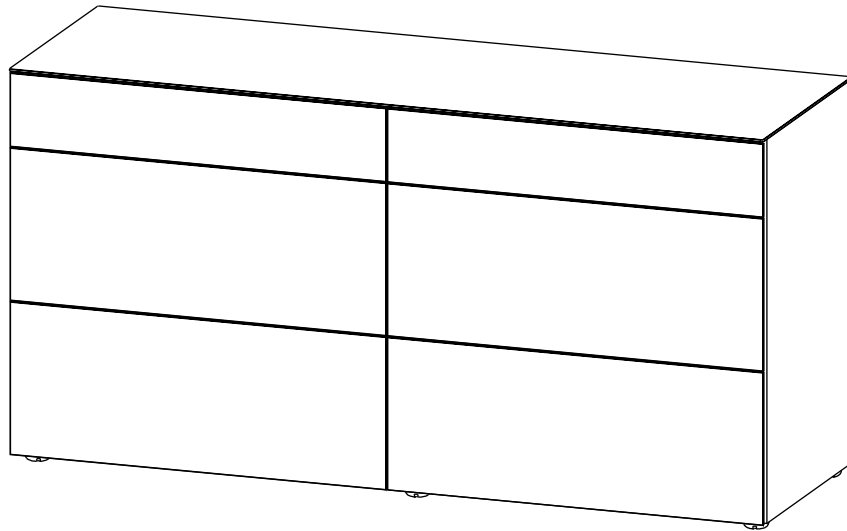




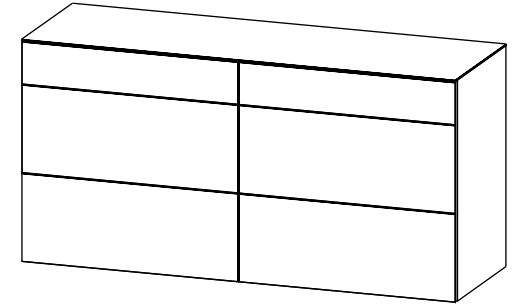
ASSEMBLY INSTRUCTION

MD320-DR

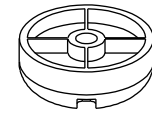
PARTS



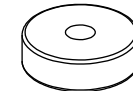
① x 1



② x 6



③ x 6



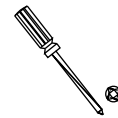
HARDWARE



8MA X 25

Ⓐ x 6

TOOL



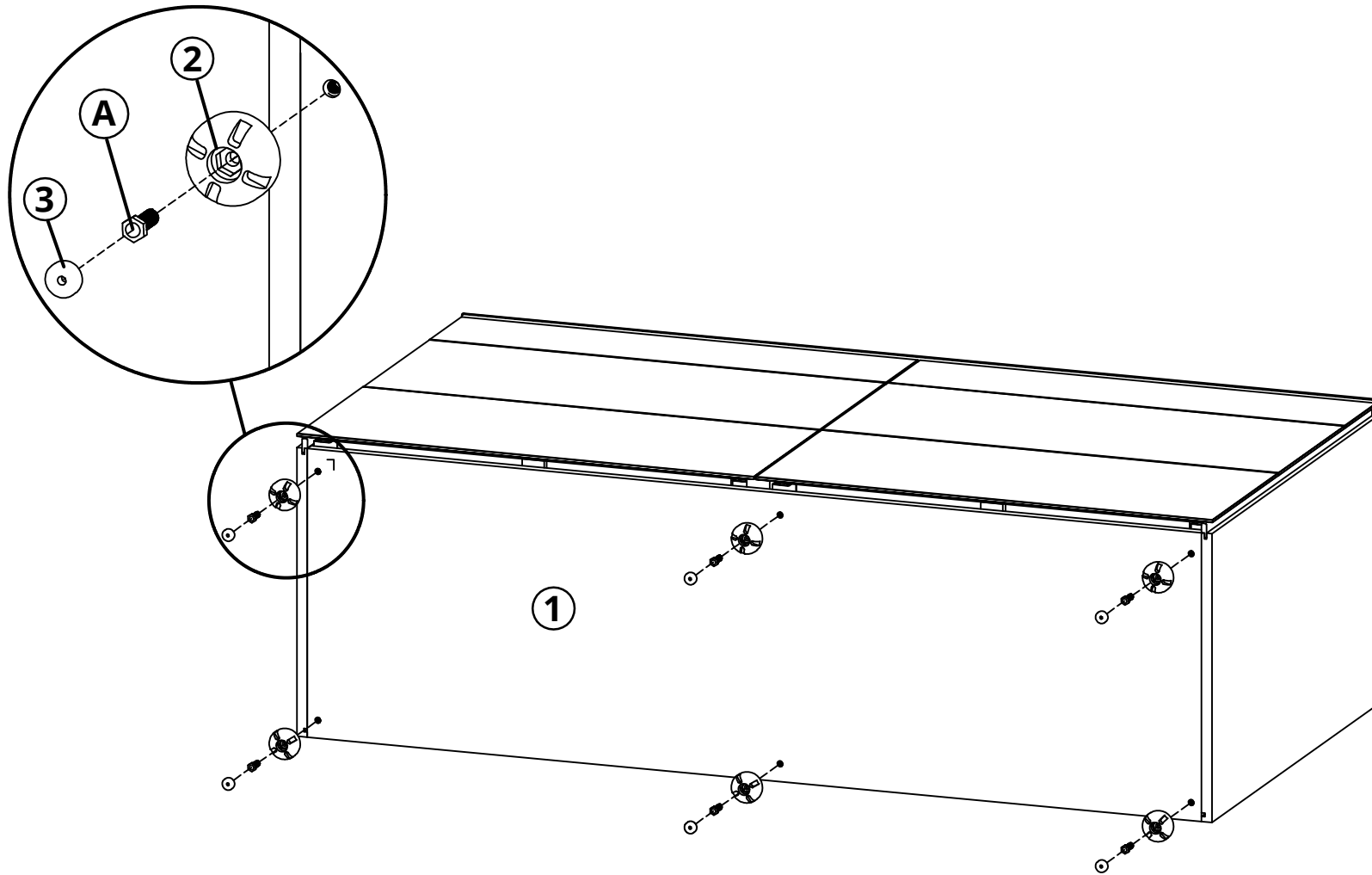
Ⓑ x 1



ASSEMBLY INSTRUCTION

MD320-DR

STEP 1





ASSEMBLY INSTRUCTION

MD320-DR

STEP 2

