


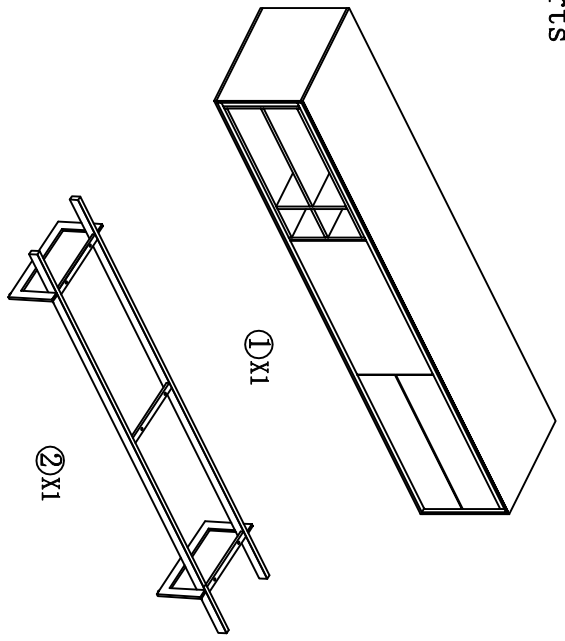


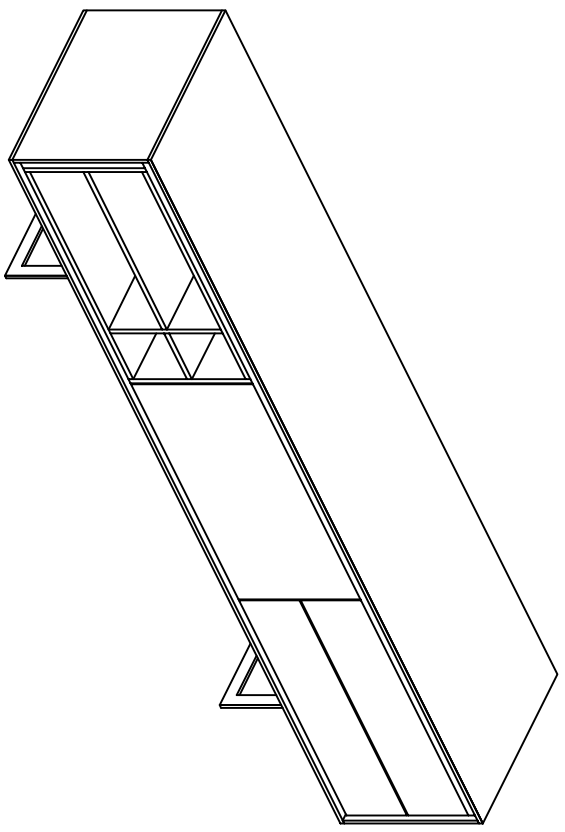
MD220 Assembly Instructions

Parts

③ X6 M6*30	
④ X6 $\phi 13 * \phi 7 * 1$	
⑤ X1 4mm	



2:



1:

