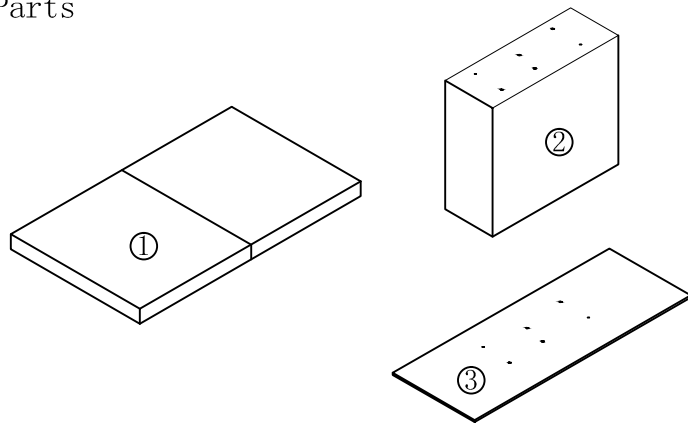


MD520 Assembly Instructions

Parts



④ X6 M6*40



⑤ X6 M6*25



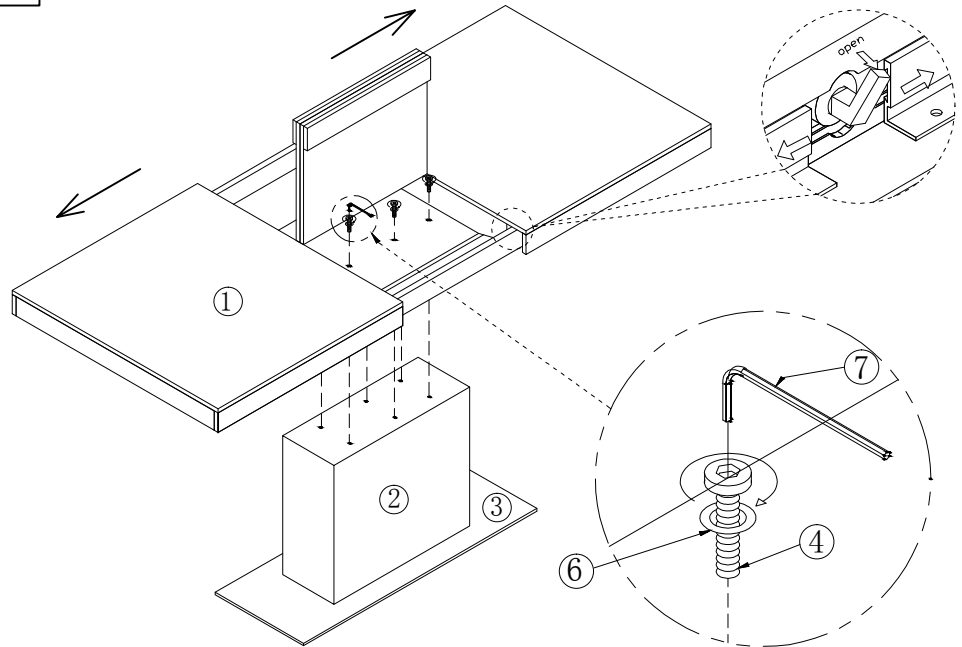
⑥ X6 $\phi 13 * \phi 7 * 1$



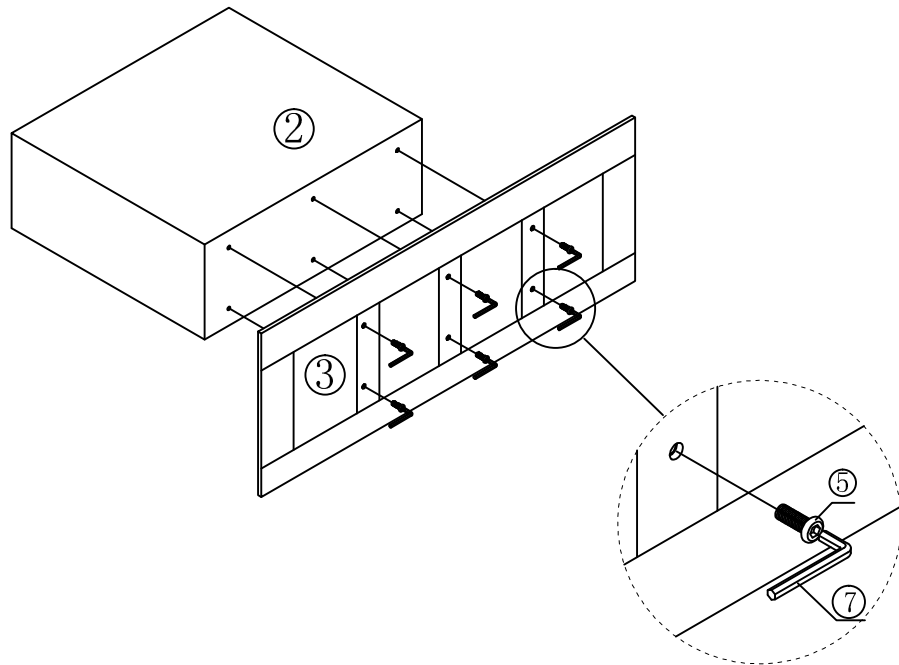
⑦ X1 4mm



2:



1:



3:

