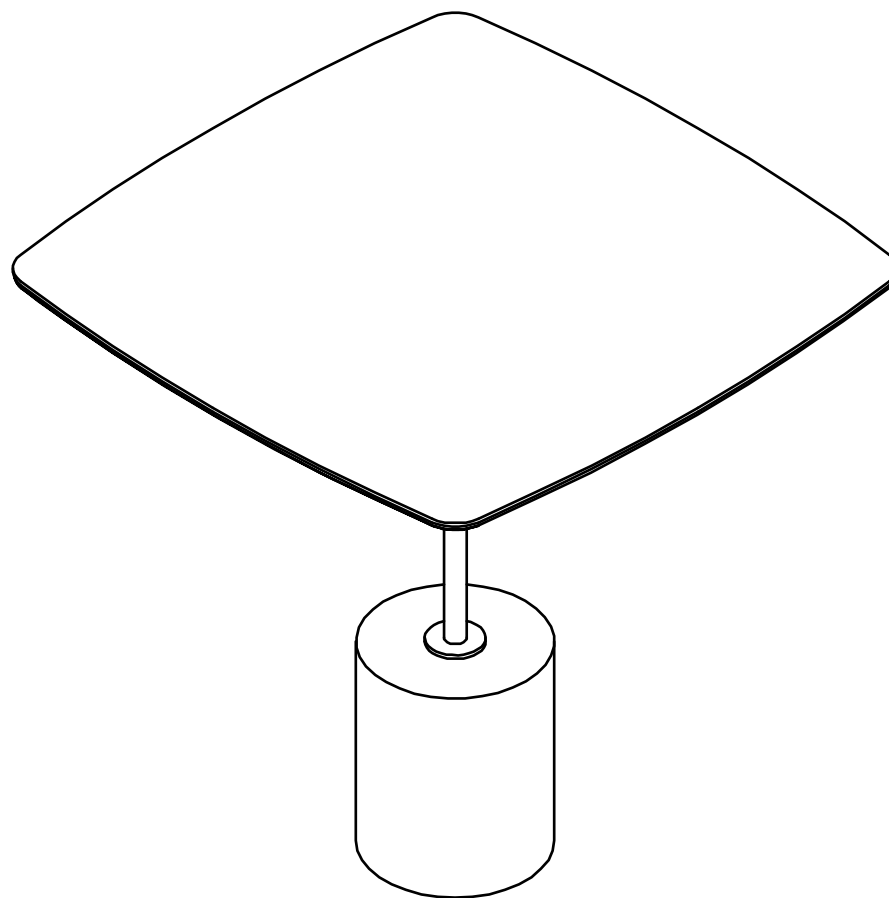


# ANDES



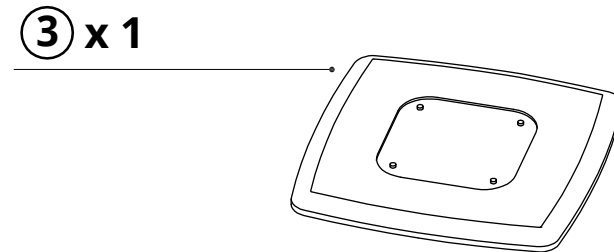
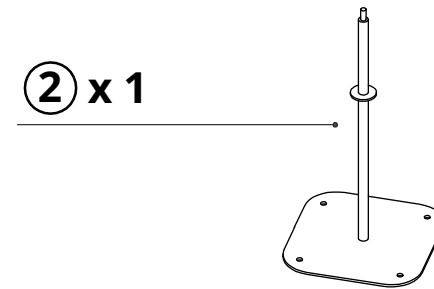
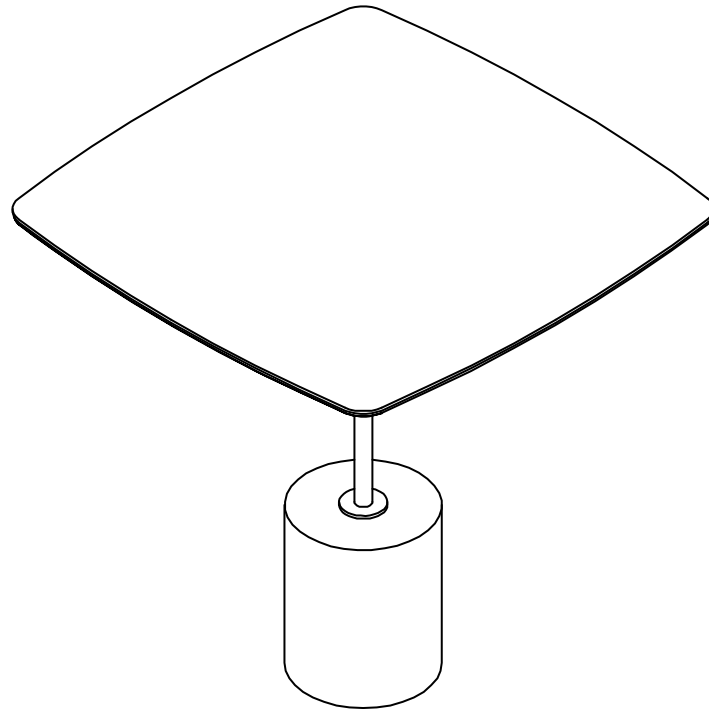
MODLOFT



# ASSEMBLY INSTRUCTION

## ANDES MJL9622A

### PARTS



#### HARDWARE



M6x15mm

Ⓐ x 4



∅17x∅8x2mm

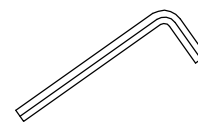
Ⓑ x 1



14mm

Ⓒ x 1

#### TOOL



Ⓓ x 1



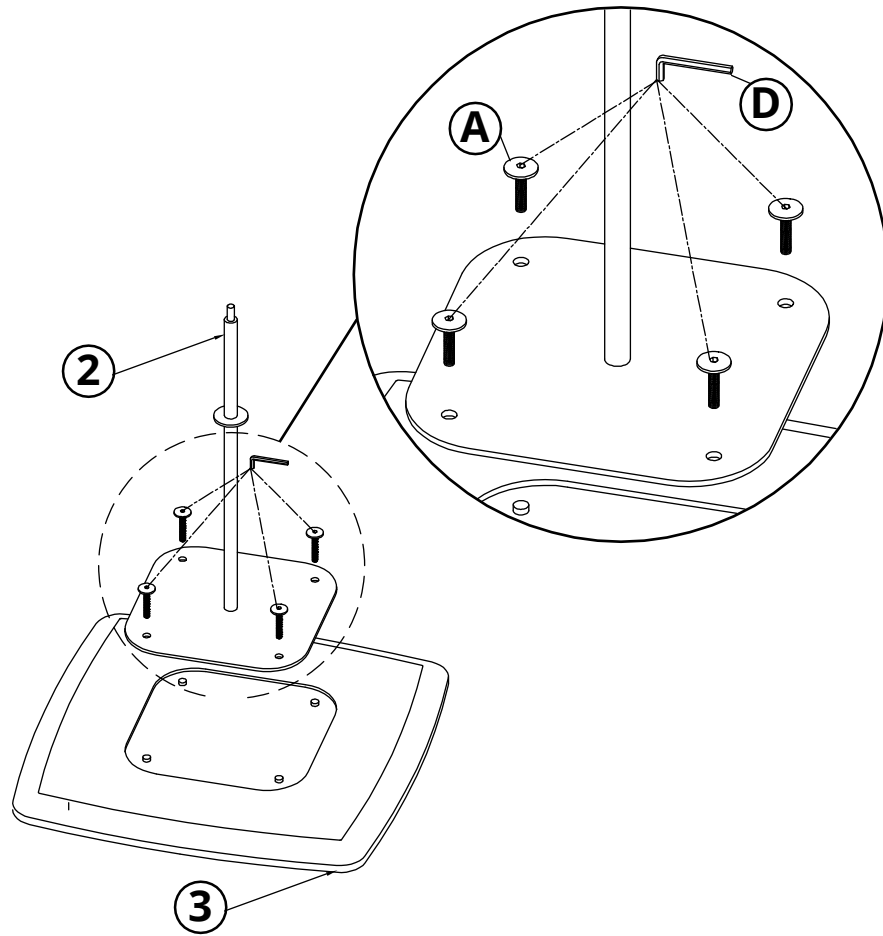
Ⓔ x 1



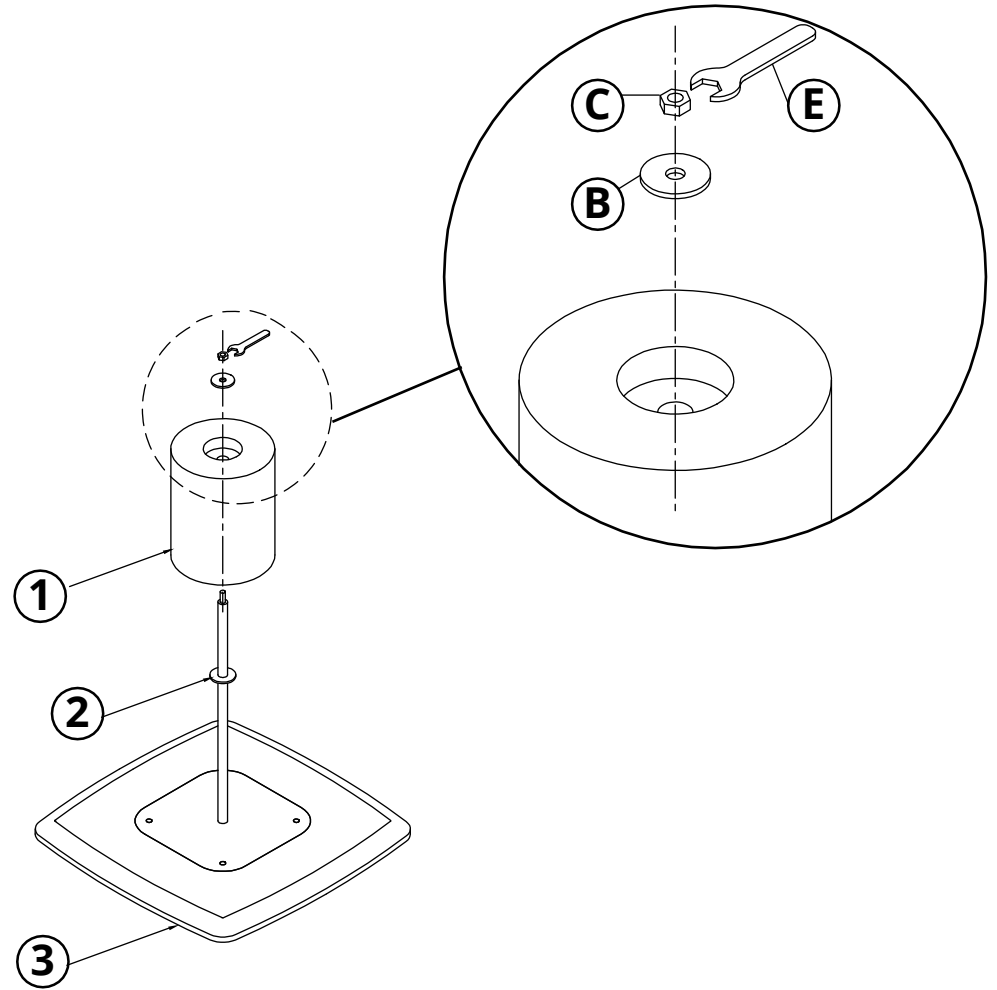
# ASSEMBLY INSTRUCTION

## ANDES MJL9622A

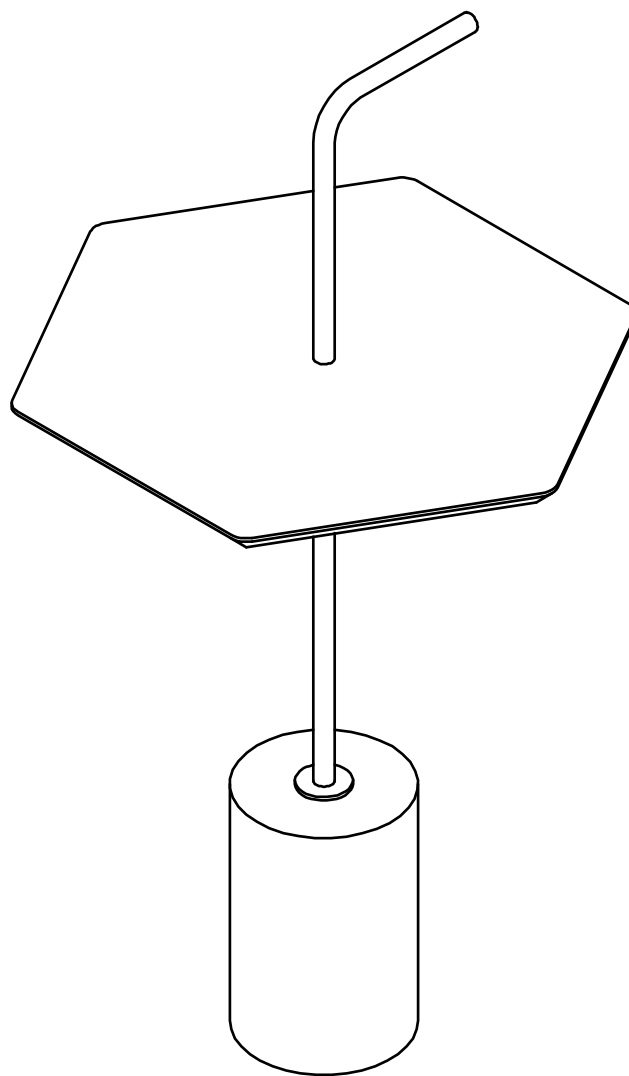
### STEP 1



### STEP 2



# ANDES

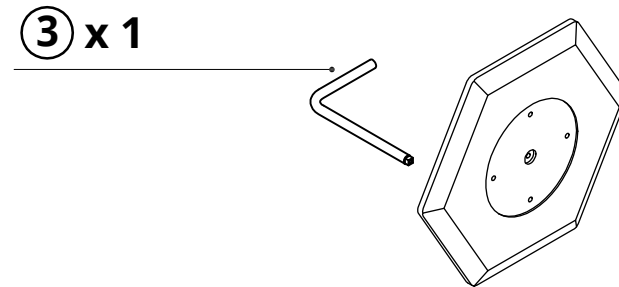
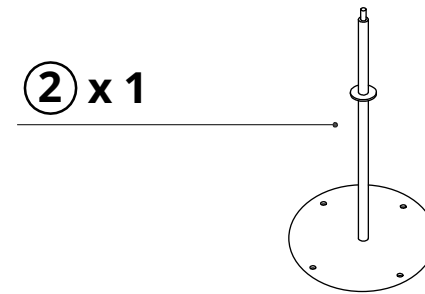
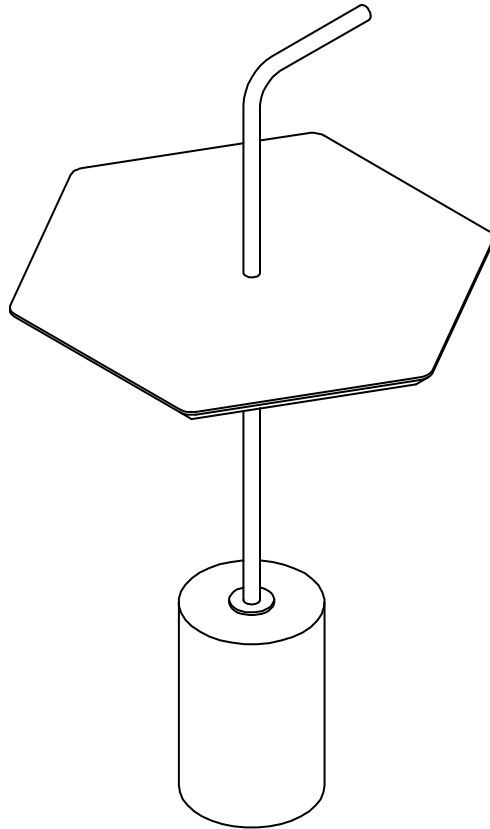


MODLOFT



# ASSEMBLY INSTRUCTION ANDES MJL9622B

## PARTS



### HARDWARE



M6x15mm

Ⓐ x 4



M6x10mm

Ⓑ x 1



φ17xφ8x2mm

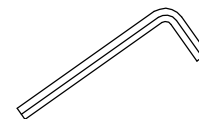
Ⓒ x 1



14mm

Ⓓ x 1

### TOOL



Ⓔ x 1



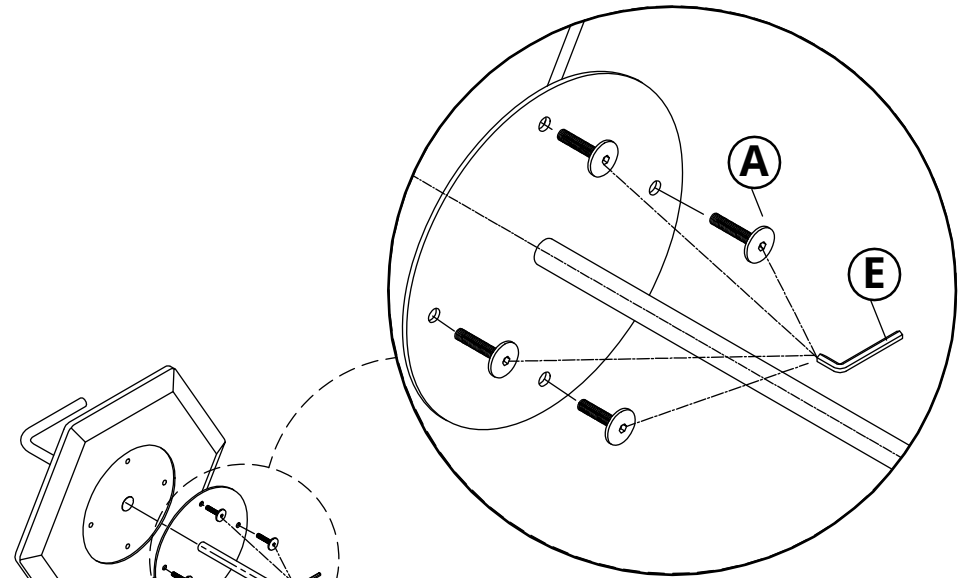
Ⓕ x 1



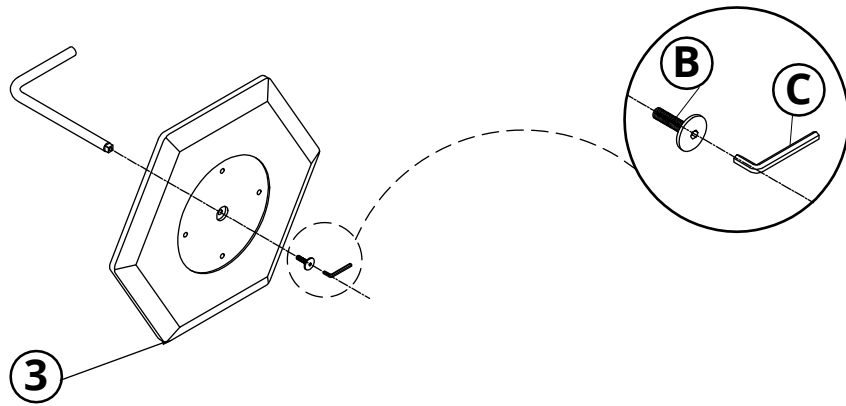
# ASSEMBLY INSTRUCTION

## ANDES MJL9622B

### STEP 2



### STEP 1



### STEP 3

