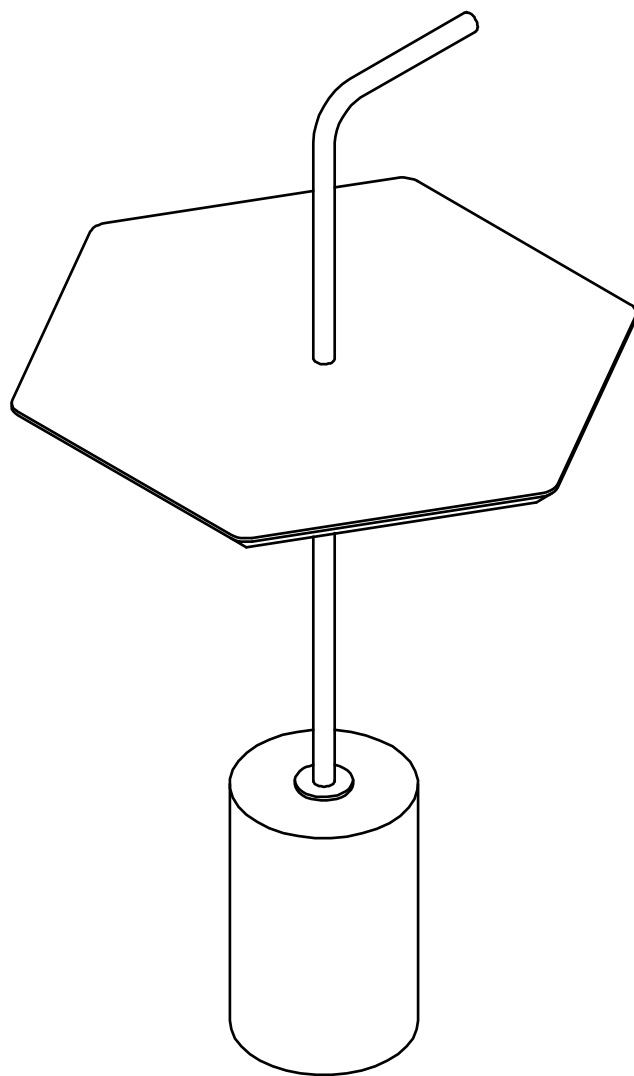


ANDES

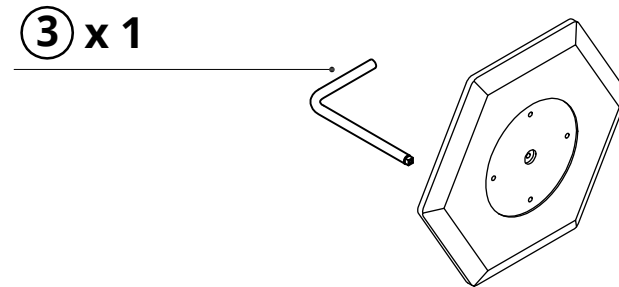
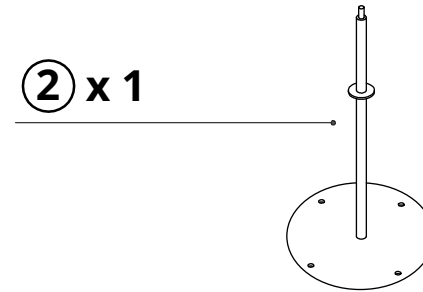
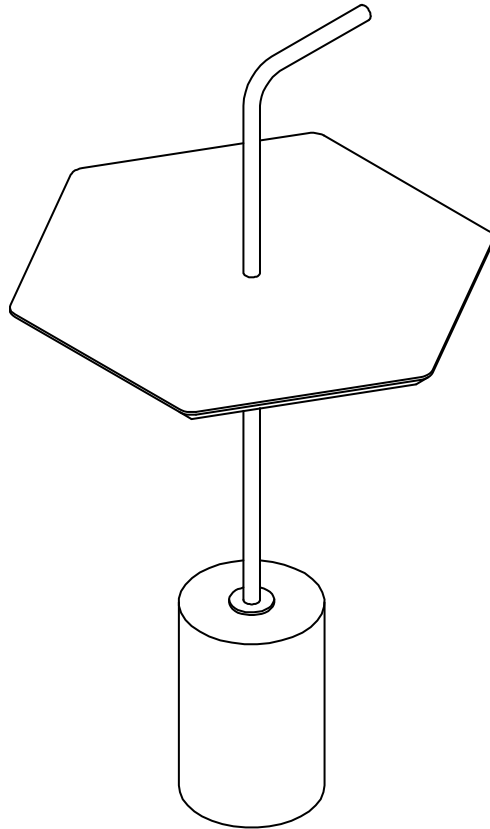


MODLOFT



ASSEMBLY INSTRUCTION ANDES MJL9622B

PARTS



HARDWARE



M6x15mm

Ⓐ x 4



M6x10mm

Ⓑ x 1



φ17xφ8x2mm

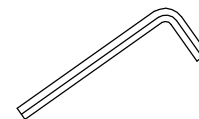
Ⓒ x 1



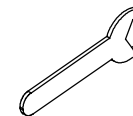
14mm

Ⓓ x 1

TOOL



Ⓔ x 1



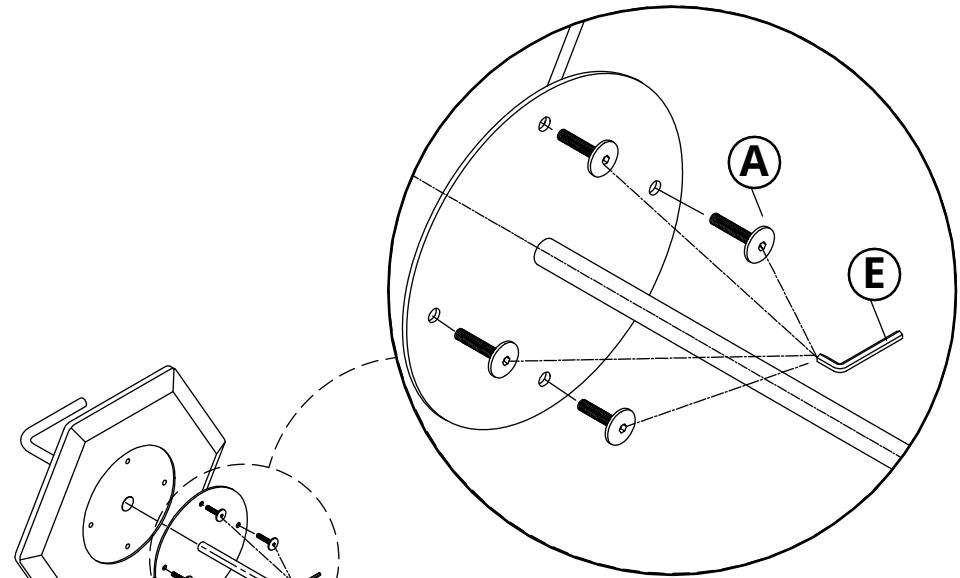
Ⓕ x 1



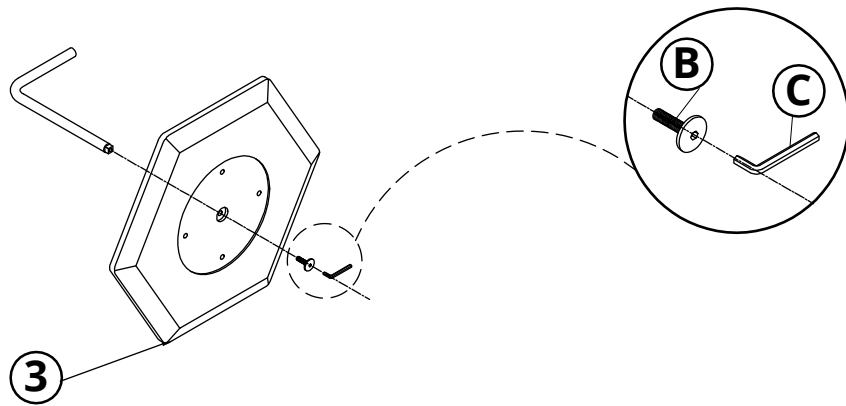
ASSEMBLY INSTRUCTION

ANDES MJL9622B

STEP 2



STEP 1



STEP 3

