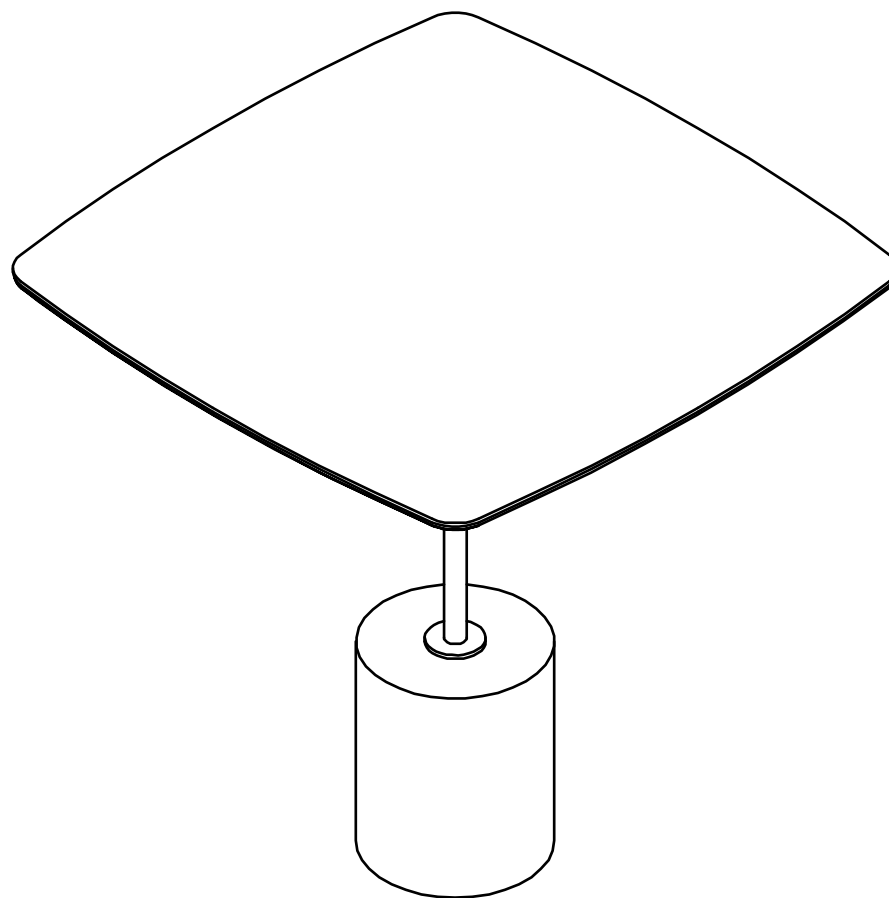


ANDES



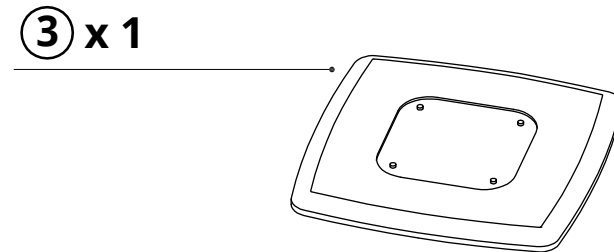
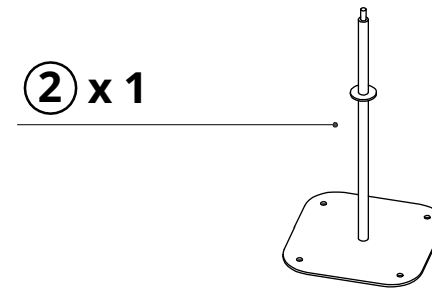
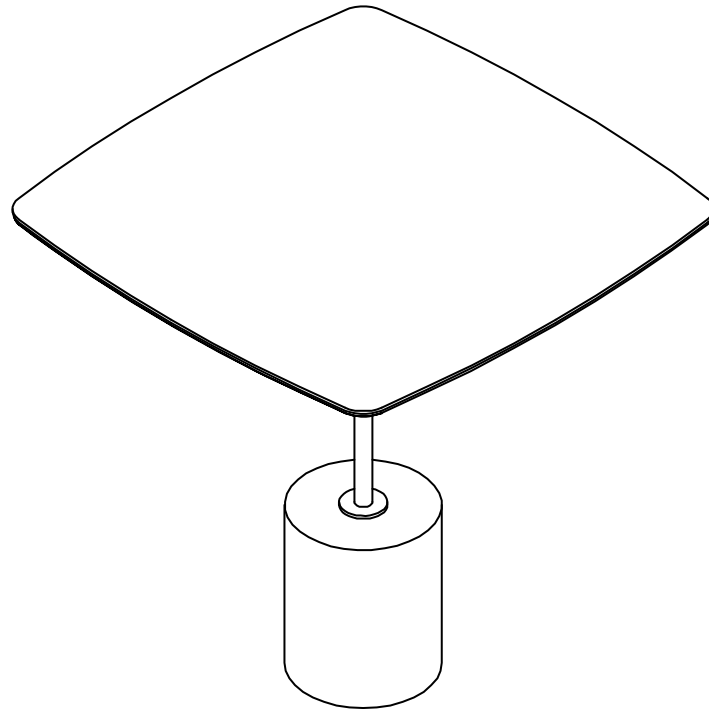
MODLOFT



ASSEMBLY INSTRUCTION

ANDES MJL9622A

PARTS



HARDWARE



M6x15mm

Ⓐ x 4



Φ17xΦ8x2mm

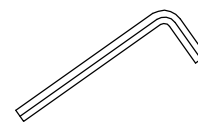
Ⓑ x 1



14mm

Ⓒ x 1

TOOL



Ⓓ x 1



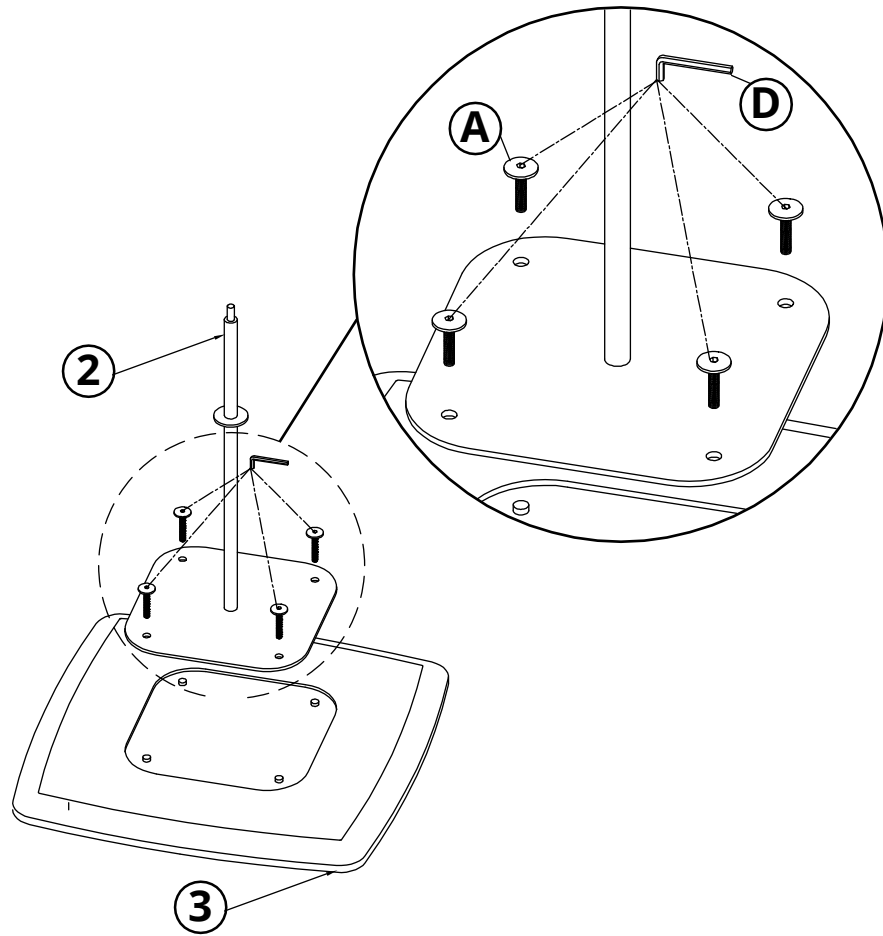
Ⓔ x 1



ASSEMBLY INSTRUCTION

ANDES MJL9622A

STEP 1



STEP 2

