

ROUND TABLE



MODLOFT

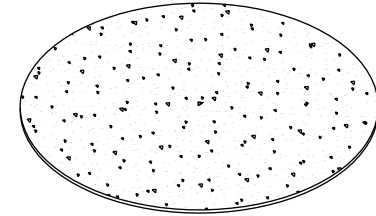


ASSEMBLY INSTRUCTION DE-GHT-147C

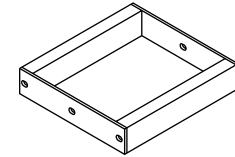
PARTS



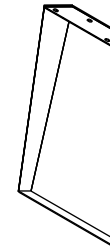
① x 1



② x 1



③ x 1



④ x 1



HARDWARE



M8 X 25

Ⓐ x 6



M8 X 20

Ⓑ x 6



8 X 20

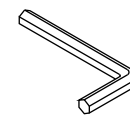
Ⓒ x 14



NUT M8

Ⓓ x 2

TOOL



Ⓔ x 1

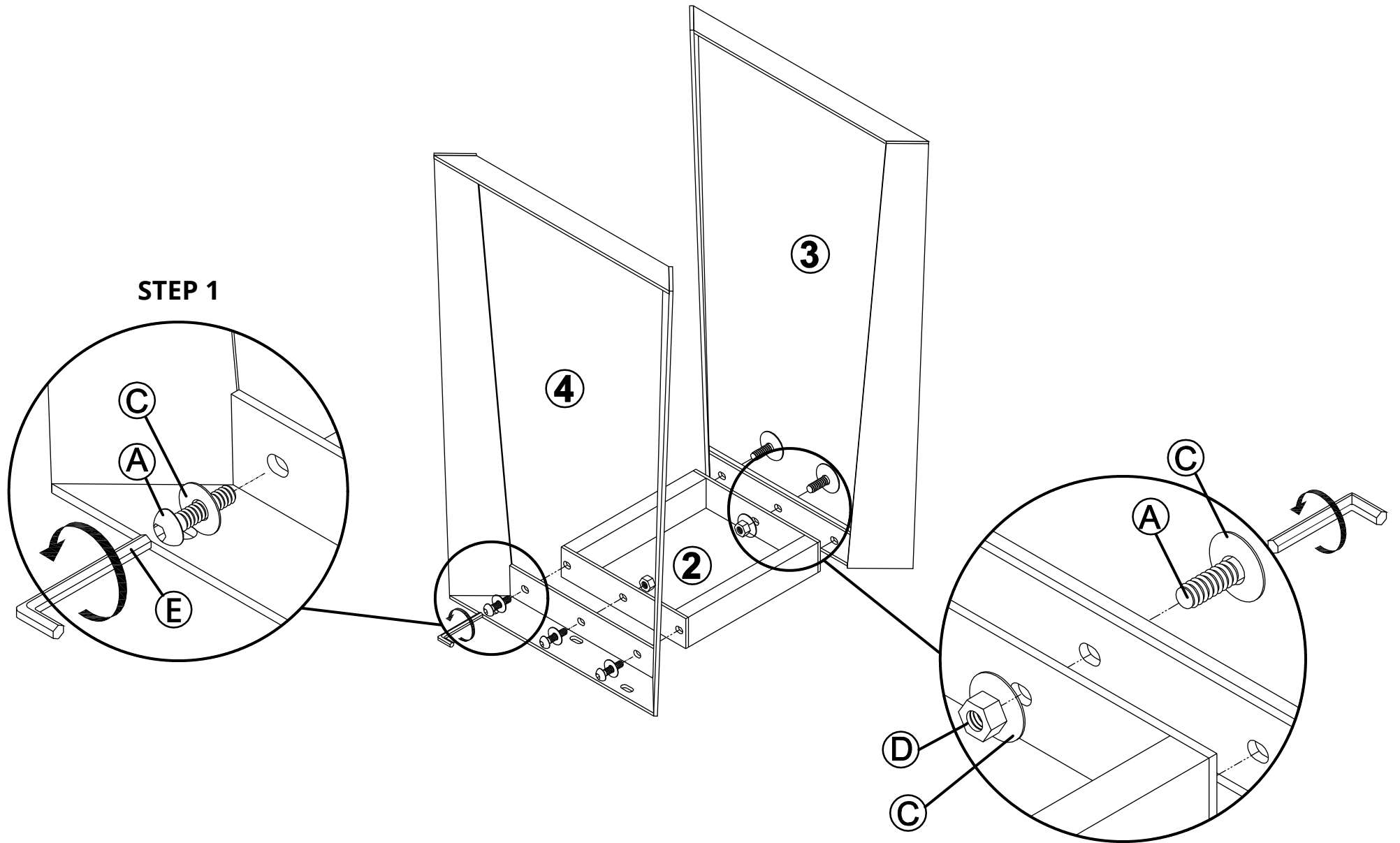


Ⓕ x 1



ASSEMBLY INSTRUCTION

DE-GHT-147C





ASSEMBLY INSTRUCTION

DE-GHT-147C

STEP 2

