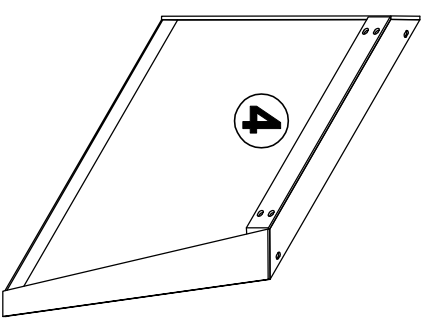
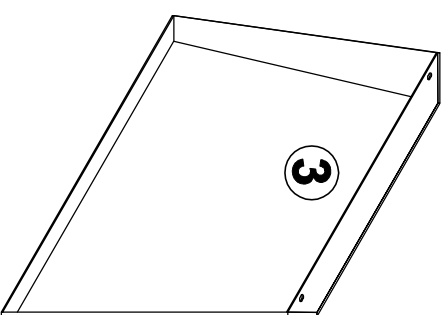
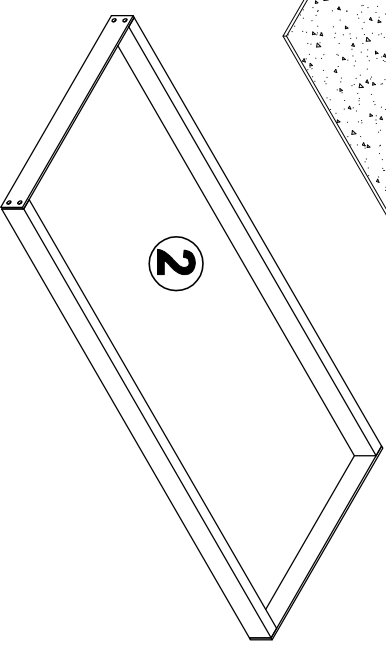
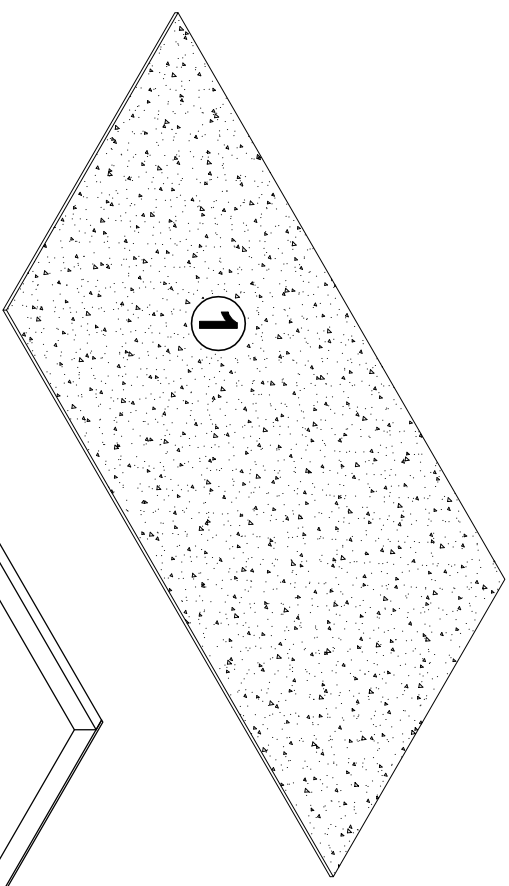
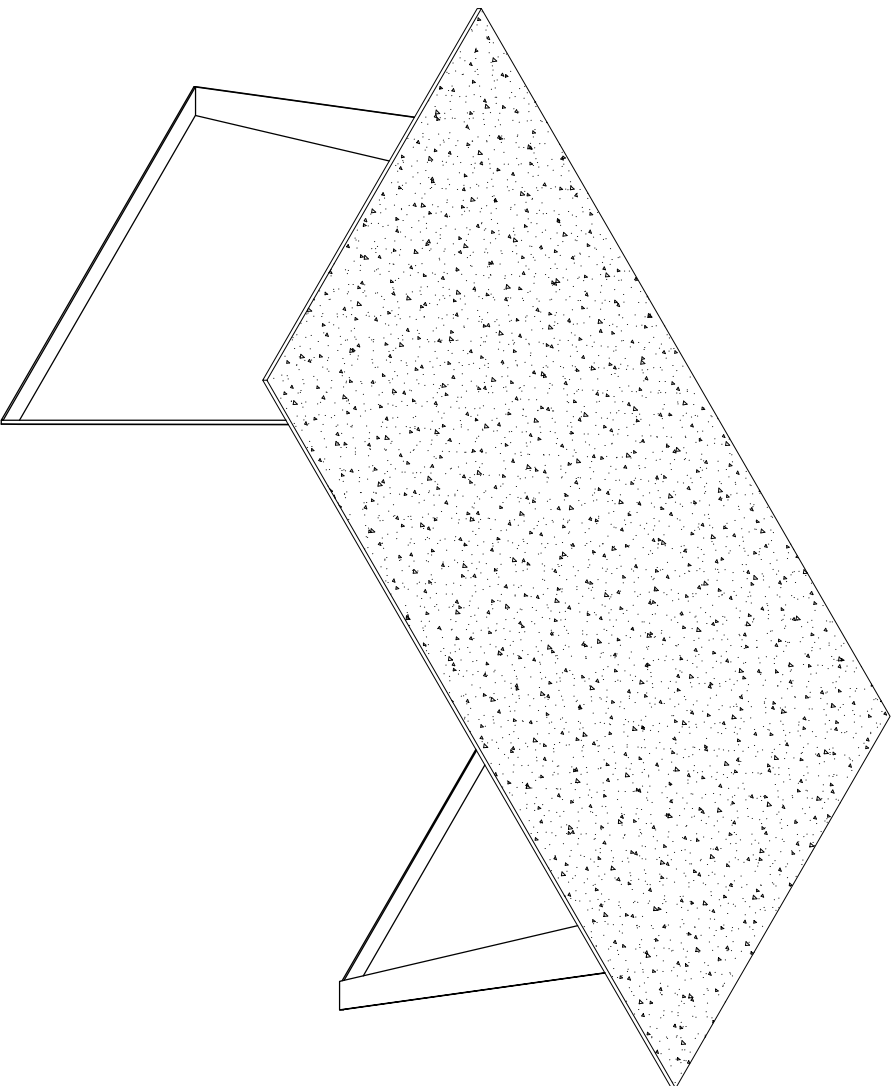


ASSEMBLY INSTRUCTION

AMSTERDAM - COFFEE TABLE - CEMENT TOP



HARDWARE



A x 8
(M8 x 25)



B x 4
(M8 x 20)

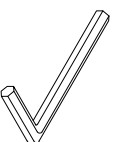


C x 8
WASHER (Øx16)



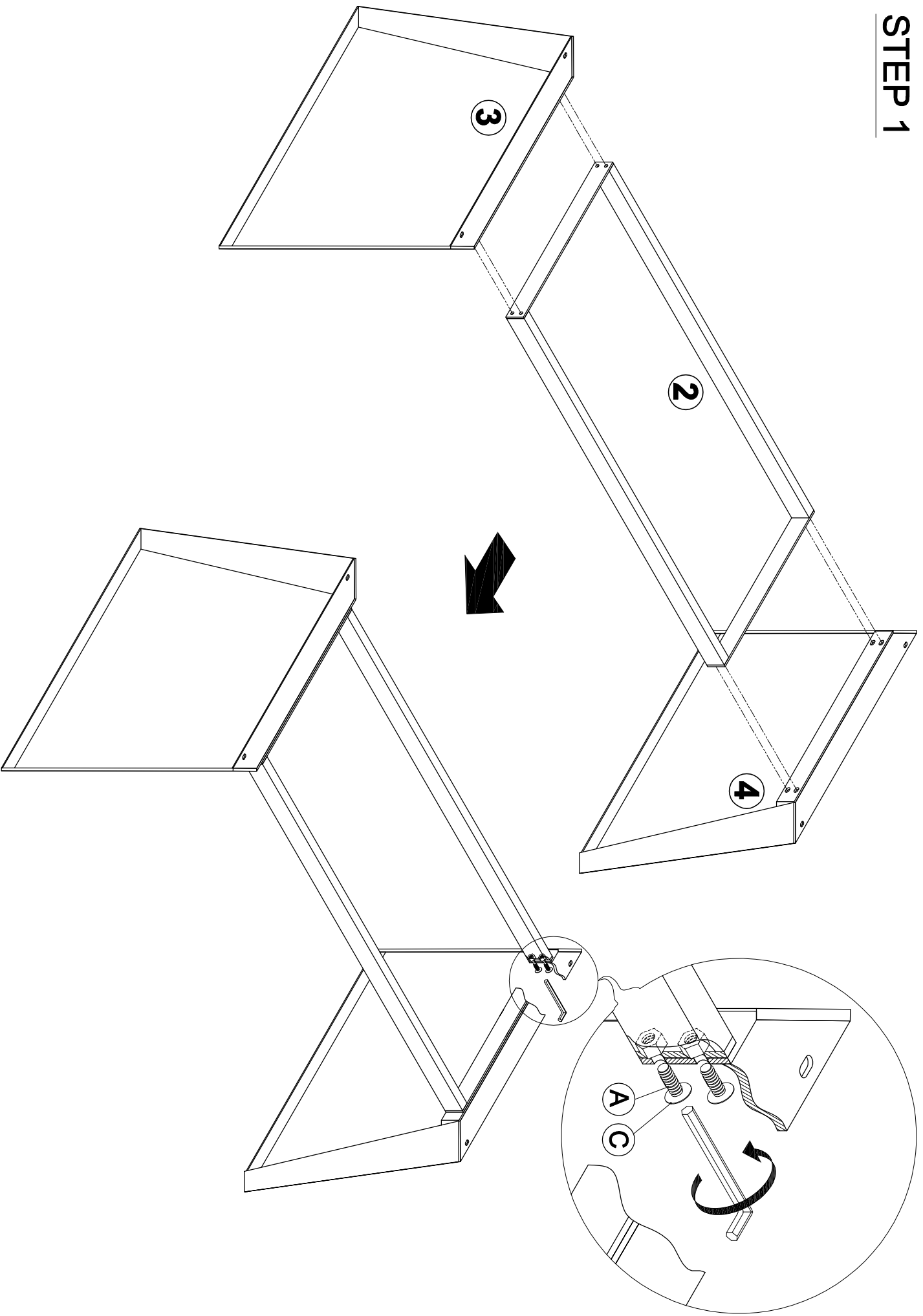
D x 4
WASHER (Øx20)

TOOL



ALLENKEY

STEP 1



STEP 2

Caution:

- * When attaching the tabletop, put all screws tightly in place before tightening them.
- * To protect the cement tabletop, do not use too much force when tightening the screws.

