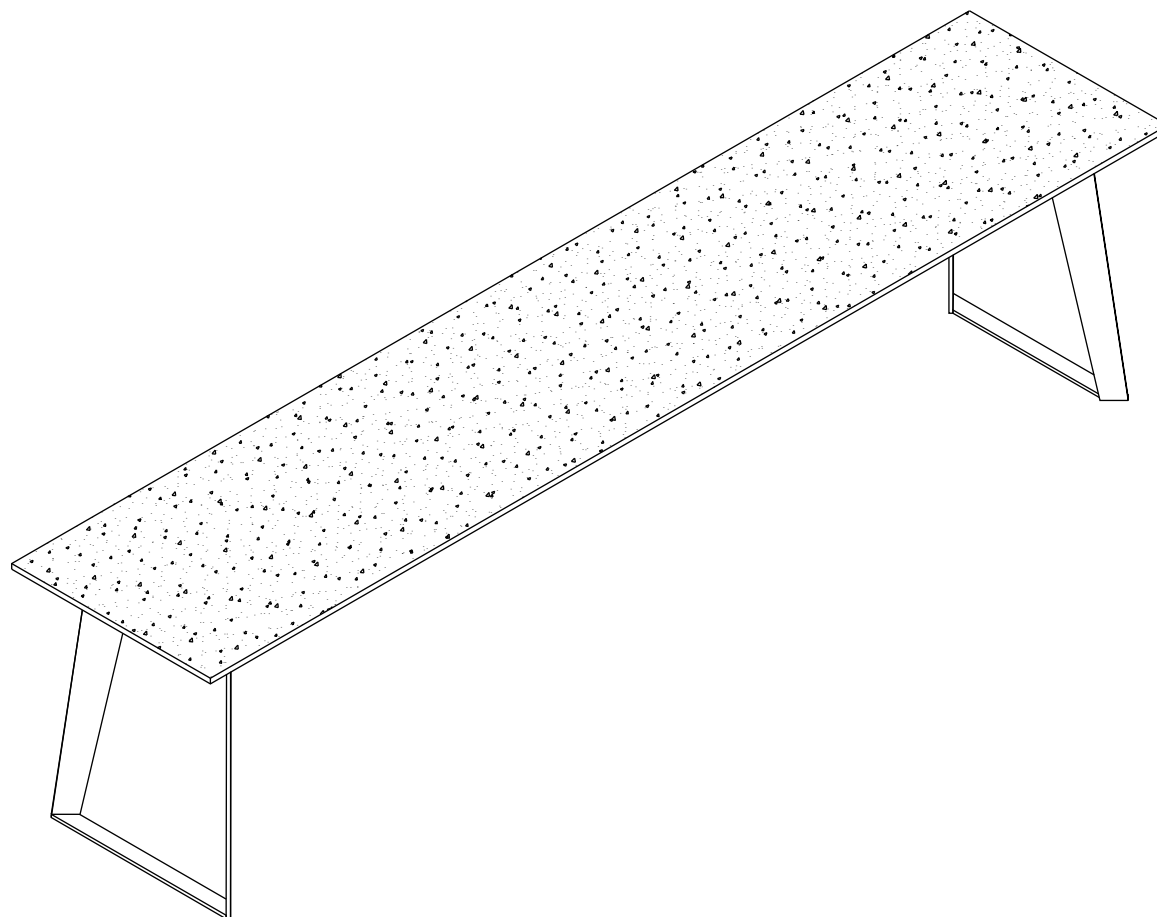


# AMSTERDAM



MODLOFT

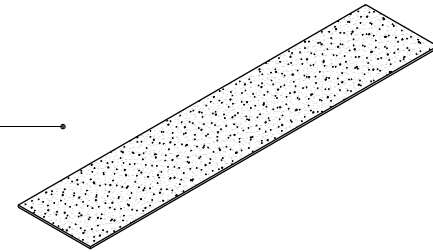


# ASSEMBLY INSTRUCTION

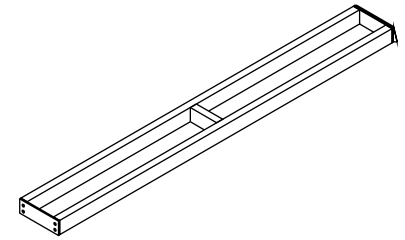
## DE-GHT-123C

### PARTS

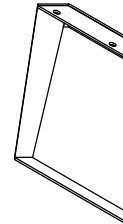
① x 1



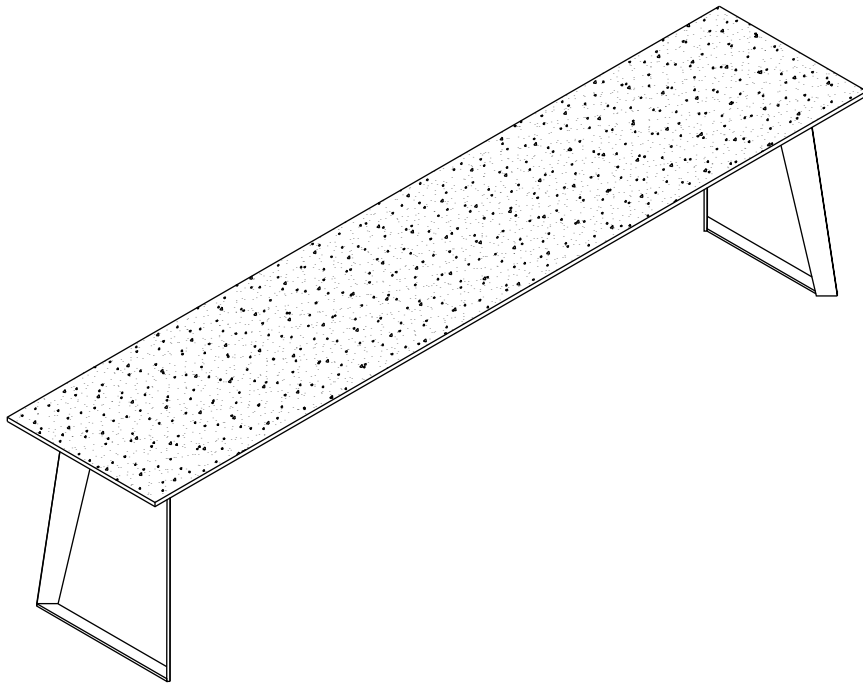
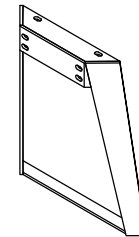
② x 1



③ x 1



④ x 1



#### HARDWARE



M8 X 25

Ⓐ x 8



M8 X 20

Ⓑ x 4



8 X 16

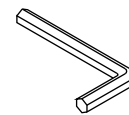
Ⓒ x 8







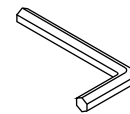
8 X 20

Ⓓ x 4

#### TOOL



Ⓔ x 1

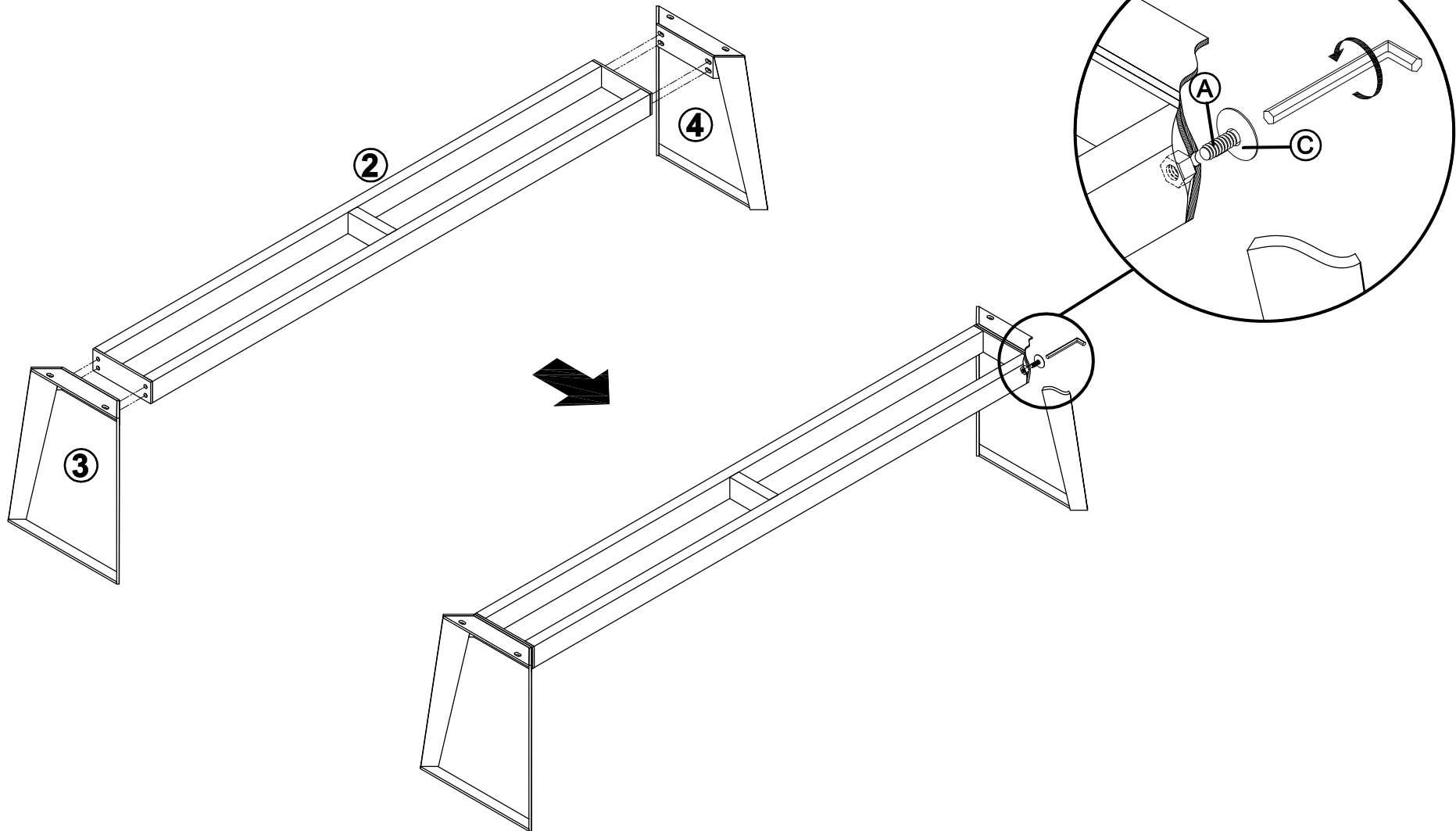
<u>HARDWARE</u>				<u>TOOL</u>
				
M8 X 25	M8 X 20	8 X 16	8 X 20	
Ⓐ x 8	Ⓑ x 4	Ⓒ x 8	Ⓓ x 4	Ⓔ x 1



# ASSEMBLY INSTRUCTION

## DE-GHT-123C

STEP 1





# ASSEMBLY INSTRUCTION

## DE-GHT-123C

